



Installation Instructions Trektop NX 4-Door

Vehicle Application:
Jeep® Wrangler JK Unlimited 2007-2018
Part Number 56853

Installation Tips

Before you begin installing your new Trektop NX, please read all the instructions thoroughly.

WARNING Do not rely in any way on the components of this product to protect against injury or death in the event of an accident. Never operate the vehicle in excess of manufacturer's specifications.

Read and follow, precisely, all installation instructions provided when installing this product. Failure to do so may result in a poor fit and could place occupants of the vehicle in a potentially dangerous situation.

For easier installation, the top should be installed at a temperature above 72° F. Below this temperature, the fabric may contract making it difficult to fit the vehicle.



CAUTION Safety glasses should be worn at all times when installing this product.

WEAR SEAT BELTS AT ALL TIMES

Tools				Installation Time	Support
				4 hours	We're here to help! Go to www.Bestop.com and click on "Need Help?"
Safety Glasses	Vise-Grips	Ratchet	Sockets: 3/8" 8mm, 13mm		
Scissors	Adjustable Wrench	#2 Phillips Screwdriver	Utility Knife	Skill Level	
		T40 Torx Driver	3mm Allen Wrench	3 - Moderately Difficult	



Installation Instructions Trektop NX 4-Door

Vehicle Application:
Jeep® Wrangler JK Unlimited 2007-2018
Part Number 56853

Sugerencias de Instalación

Antes de empezar a instalar esta unidad, lea atentamente todas las instrucciones.

Para un buen ajuste:

Para facilitar la instalación, el producto debe instalarse a temperaturas superiores a 72 °F (22 °C).

Por debajo de esta temperatura, la tela puede encogerse una pulgada o más, lo que dificultaría su ajuste al vehículo.

Es normal que la tela se contraiga o arrugue cuando está guardada en la caja de empaque. A los pocos días después de la instalación, la tela se relajará y las arrugas desaparecerán.



ADVERTENCIA

Este producto se diseñó principalmente para mejorar la apariencia del vehículo y proteger a los ocupantes de las condiciones climáticas comunes. De ninguna manera piense que los componentes de este producto pueden servir como medio de contención para los ocupantes del vehículo o que pueden protegerlos contra lesiones o la muerte en caso de accidente. Este producto no protegerá a los ocupantes contra caídas de objetos. Nunca conduzca este vehículo fuera de las especificaciones del fabricante.

USE LOS CINTURONES DE SEGURIDAD EN TODO MOMENTO

Lea y siga con precisión todas las instrucciones de instalación que se proporcionan para instalar este producto. Si no lo hace, podría producirse un mal ajuste que colocaría a los ocupantes del vehículo en una situación potencialmente peligrosa.



PRECAUCIÓN

Debe usar gafas protectoras en todo momento durante la instalación de este producto.

Conseils pour l'installation

Lire toutes les instructions au complet avant de commencer l'installation de cet assemblage.

Pour un ajustement sans problème :

Afin de faciliter l'installation, ce produit doit être installé à des températures au-dessus de 72 °F (22 °C).

Sous cette température, le tissu peut rétrécir d'un pouce (2,5 cm) ou plus, ce qui rendra l'ajustement sur le véhicule difficile.

Il est normal que le tissu rétrécisse et plisse pendant qu'il est dans la boîte d'expédition. En quelques jours après l'installation, le tissu se détendra et les plis disparaîtront.



AVERTISSEMENT

Ce produit est conçu principalement pour améliorer l'apparence du véhicule et pour protéger les occupants des conditions météorologiques usuelles. Ne jamais se fier aux composants de ce produit pour se protéger de blessures ou de la mort en cas d'accident. Ce produit ne protégera pas les occupants des chutes d'objets. Ne jamais utiliser le véhicule au-delà des caractéristiques techniques indiquées par le fabricant.

PORTER UNE CEINTURE DE SÉCURITÉ EN TOUT TEMPS

Lire et suivre, très fidèlement, toutes les instructions d'installation fournies lors de l'installation de ce produit. Ne pas suivre cette consigne peut causer une installation inadéquate et mettre les occupants du véhicule dans une situation potentiellement dangereuse.



MISE EN GARDE

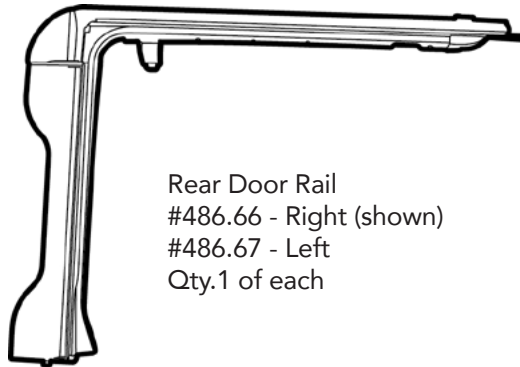
Des lunettes de sécurité doivent être portées en tout temps lors de l'installation de ce produit.



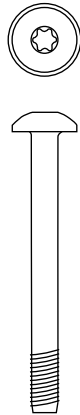
Installation Instructions Trektop NX 4-Door

Vehicle Application:
Jeep® Wrangler JK Unlimited 2007-2018
Part Number 56853

Parts List



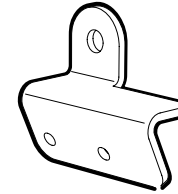
Rear Door Rail
#486.66 - Right (shown)
#486.67 - Left
Qty.1 of each



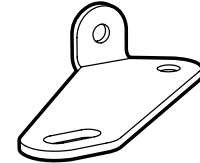
M8 x 80 Screw
#532.23
Qty.4



M8 x 38 Screw
#532.17
Qty.2



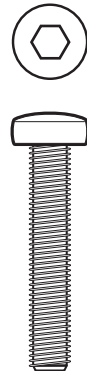
Sunrider Pivot Bracket
#544.18 - Right (shown)
#544.19 - Left
Qty. 1 per side



#2 Bow Pivot Bracket
#541.88 - Right (shown)
#541.87 - Left
Qty. 1 per side



Front Door Rail
#479.87 - Left (shown)
#479.86 - Right
Qty. 1 of each



M5 x 35mm Screw
Part #514.62
Qty. 2t



Washer
Part #575.27
Qty. 2



Plastic Bushing
Part #473.40
Qty. 4



M5 Nylon Lock Nut
Part #526.76
Qty. 2



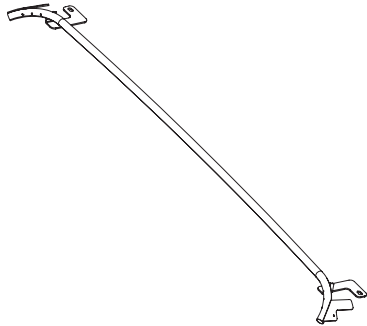
#10-24 x 3/8"
Machine Screw
Part #195.92
Qty. 4



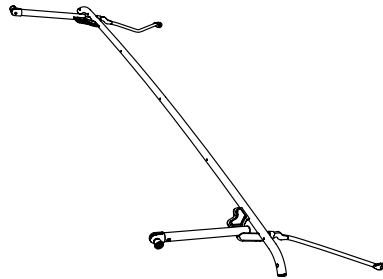
Installation Instructions Trektop NX 4-Door

Vehicle Application:
Jeep® Wrangler JK Unlimited 2007-2018
Part Number 56853

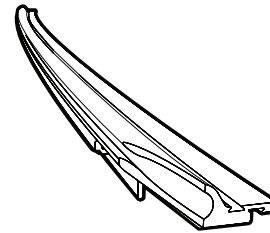
Parts List



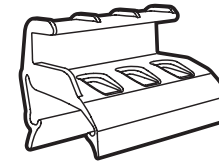
#3 Bow Assembly
#542.40
Qty. 1



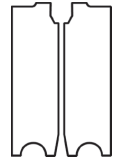
#2 Bow Assembly
#541.18
Qty. 1



Tailgate Bar
#538.76
Qty. 1



Tailgate Bar Mounts
#539.57 - Left (shown)
#539.56 - Right
Qty. 1



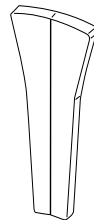
Foam Seals
#457.76 - Right
#457.77 - Left
Qty. 1 per side



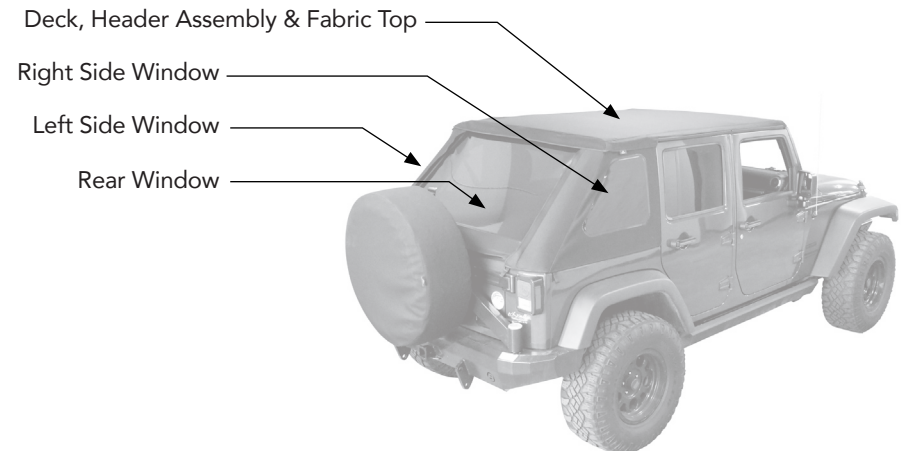
Adhesive Fabric
Loop Strips
#546.15
Qty. 2



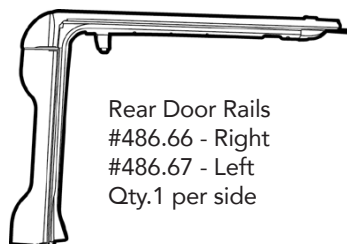
Foam Tape
Strips
#417.43
Qty. 2



Foam Seal
#605.46
Qty. 1

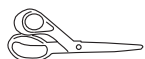


Hardware



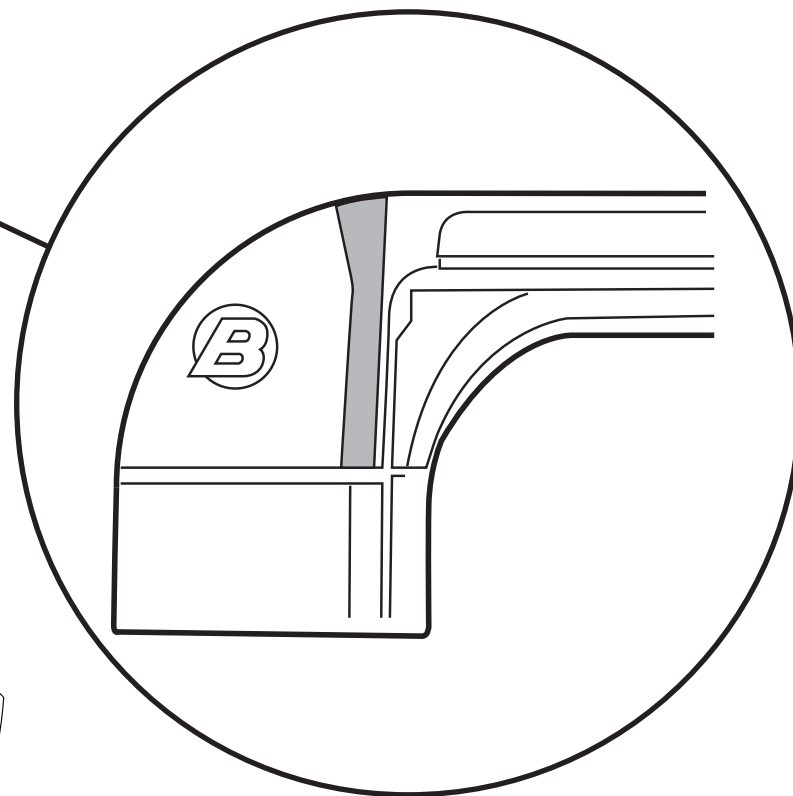
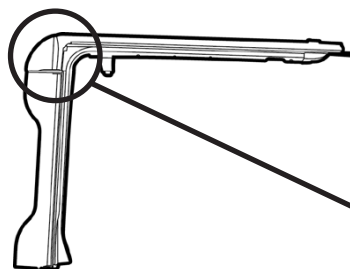
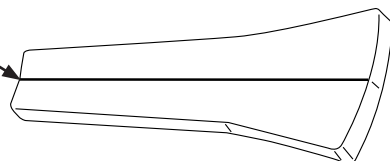
Rear Door Rails
#486.66 - Right
#486.67 - Left
Qty.1 per side

Tools



Scissors

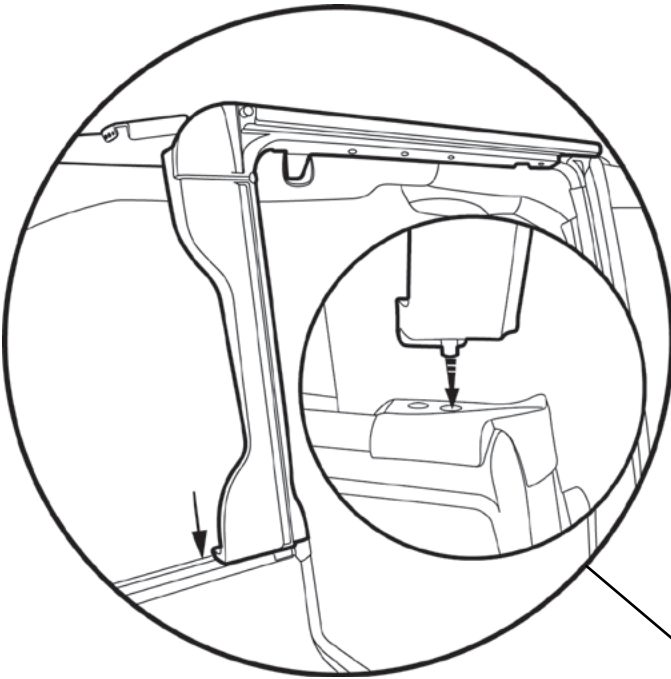
Cut along
this line.



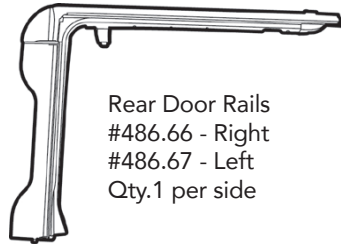
Cut the Foam Seal #605.46 in half following the slit in the foam. Attach half of the Foam Seal into the valley of the Rear Door Rail #479.88.

Repeat for the left side.

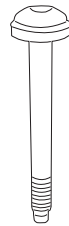
Step 1



Hardware

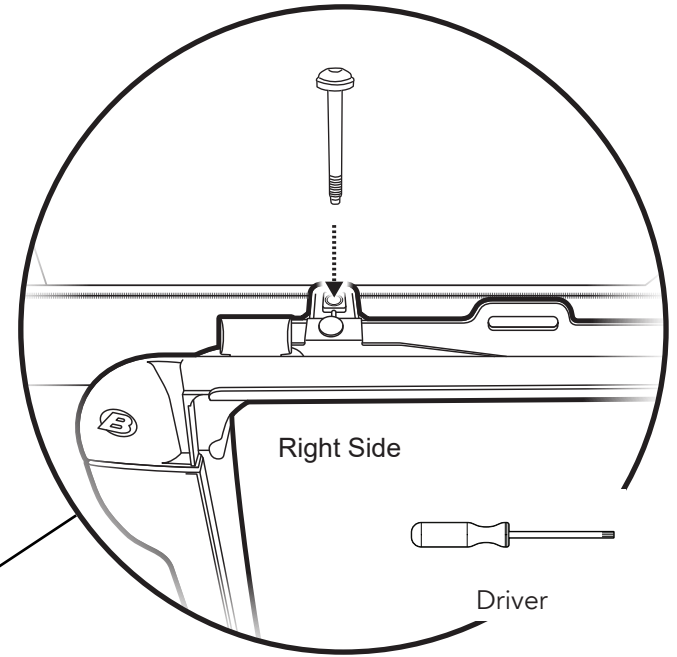


Rear Door Rails
#486.66 - Right
#486.67 - Left
Qty.1 per side



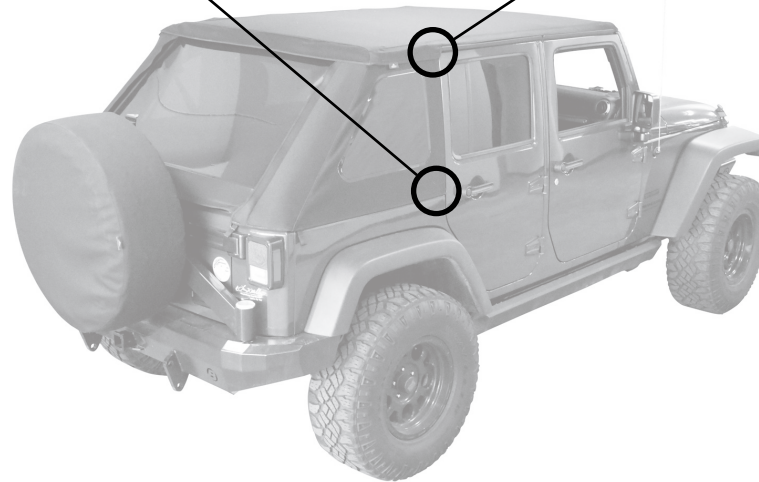
M8 x 80 Screw
#532.23
Qty.2

Step 2



Step 1

Open the Rear Door.
Insert the pin in the bottom of the right Rear Door Rail #486.66 into the hole in the belt rail behind the rear door opening. Press the channel along the top of the Rear Door Rail around the horizontal sport bar.
Repeat on the left side of the vehicle.



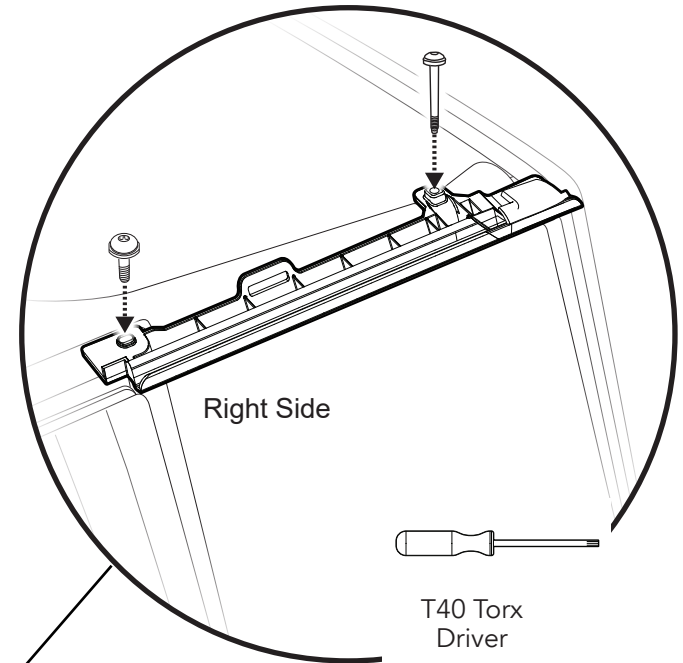
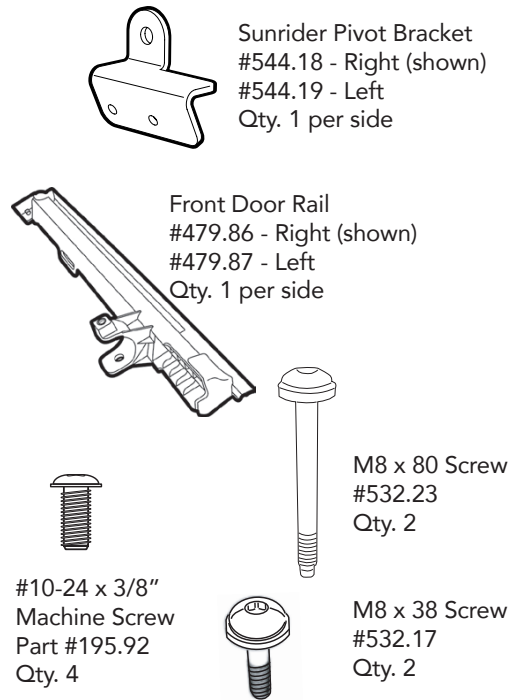
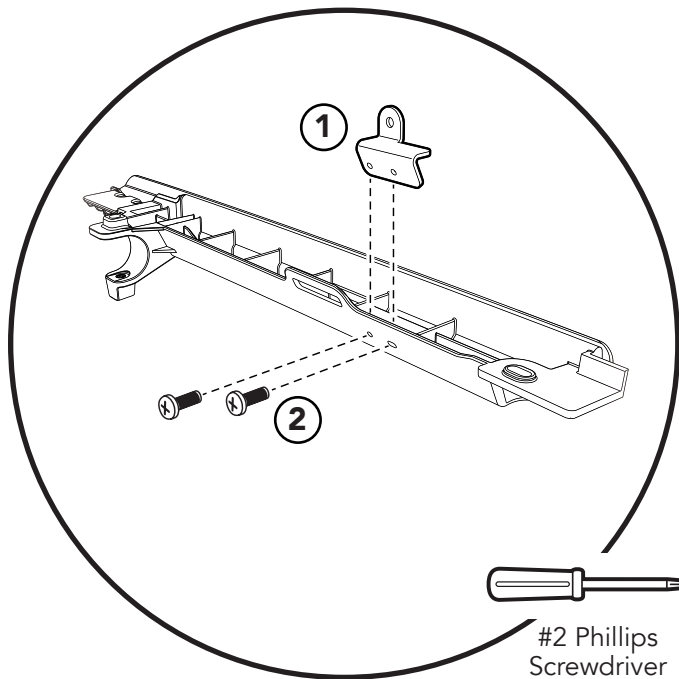
Step 2

Insert one (1) M8 x80 Screw #532.23 into the rear position on the right Rear Door Rail #486.67. Tighten to 55lb/in (4.5(lb/ft)).
Repeat on the left side of the vehicle.

Step 1

Hardware

Step 2



Step 1

Attach the right Sunrider Pivot Bracket #544.18 to the right Front Door Rail #479.86 using two (2) #195.92 Screws.

Repeat on the left side of the vehicle, using the #544.19 Left Sunrider Bracket.

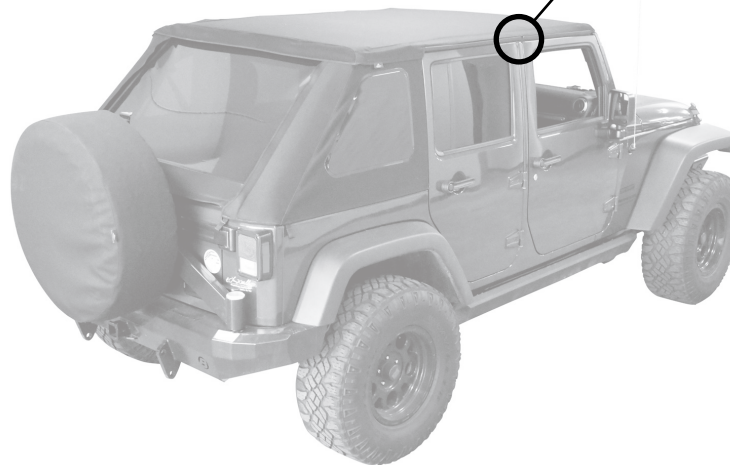
Step 2

Open the front door.

Position the right Front Door Rail #479.86 on the sport bar above the passenger side door and press it into place on the sport bar.

Secure the Front Door Rail in place with one (1) M8 x 80 Screw #532.23 at the front, and one M8 x 38 Screw #532.17 at the rear, where the Front Door Rail and Rear Door Rail overlap. Tighten to 55lb/in (4.5lb/ft).

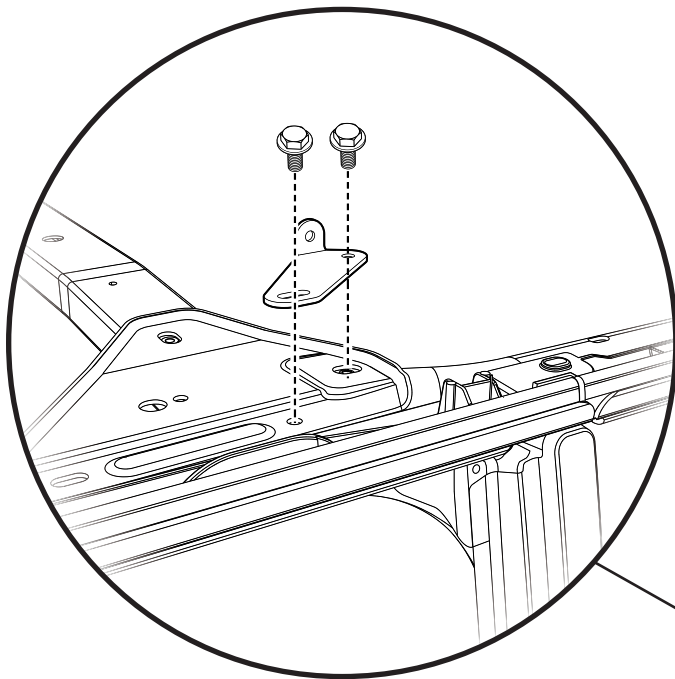
Repeat on the left side of the vehicle.



Step 1

Hardware

Step 2



#2 Bow Pivot Bracket
 #541.88 - Right (shown)
 #541.87 - Left
 Qty. 1 per side

Tools



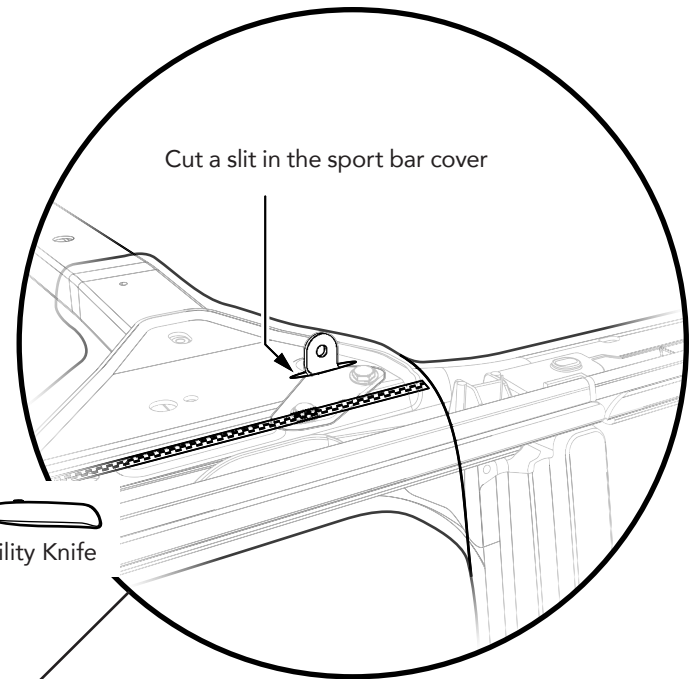
Ratchet



13mm Socket



Utility Knife



Cut a slit in the sport bar cover

Step 1

Unzip the sport bar cover over the middle cross bar between the front and rear doors, to expose the sport bar corner plate, and two factory-installed hex-head bolts.

Attach the Right #2 Bow Pivot Bracket #541.88 to the right side sport bar plate using the two factory bolts.

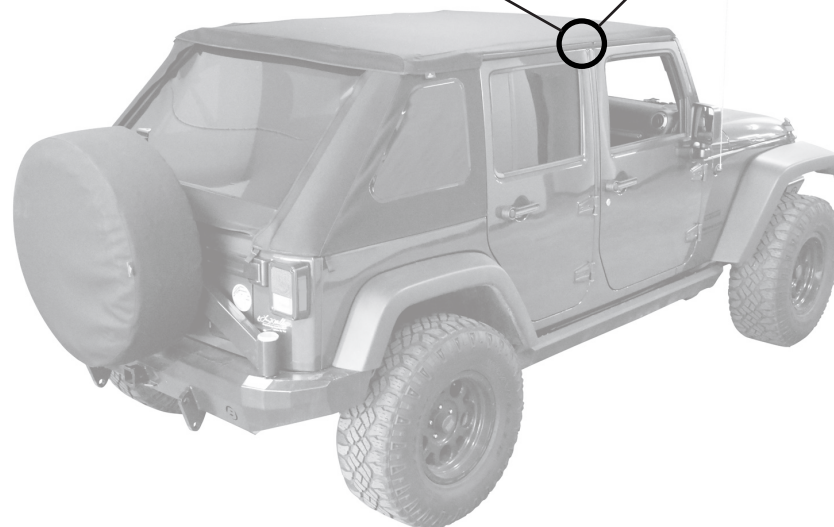
Repeat on the left side of the Jeep.

Step 2

Zip the sport bar cover closed.

Locate the vertical tab on the #2 Bow Pivot Bracket, and cut a slit in the cover to allow this tab to protrude through the cover.

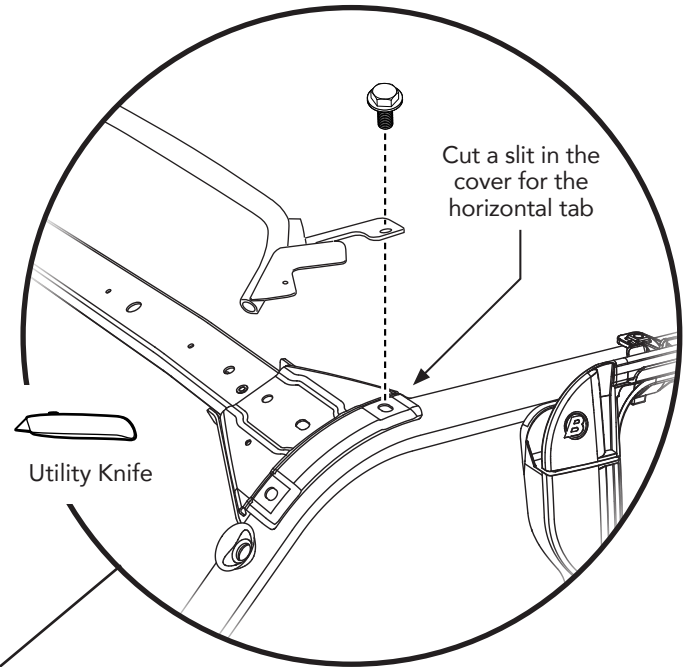
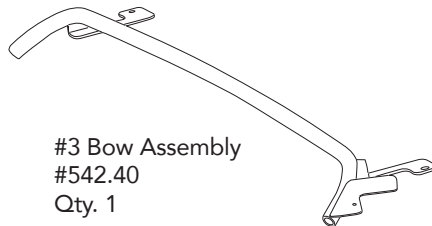
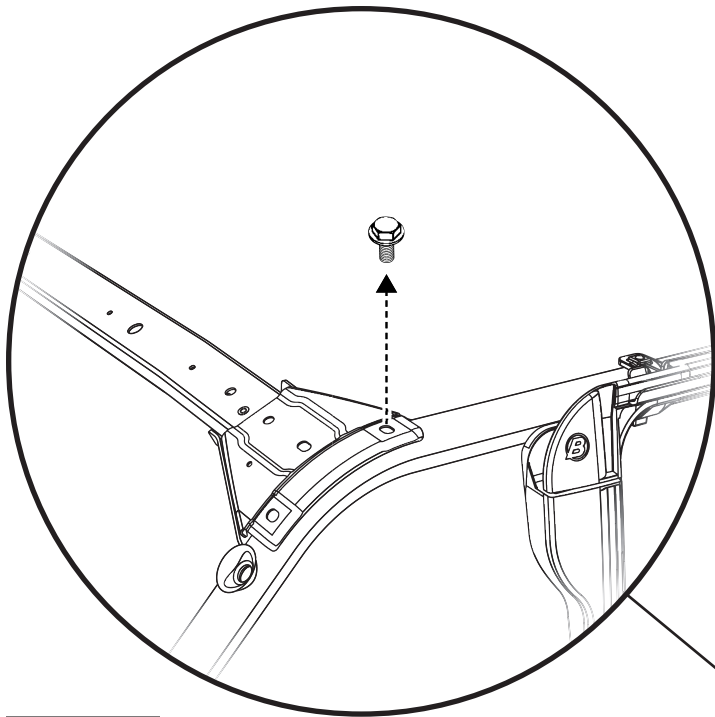
Repeat on the left side of the Jeep.



Step 1

Hardware

Step 2



Step 1

Unzip the sport bar cover over the rear cross bar, to expose the sport bar corner plates, and the factory-installed hex-head bolt on each side.

Remove the indicated hex-head bolt on each side of the sport bar.

Step 2

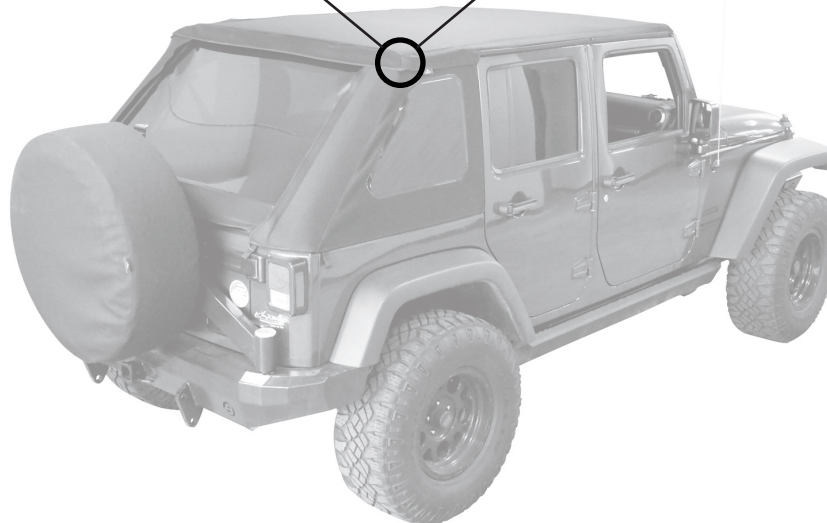
Zip the sport bar cover closed.

Cut a slit in the sport bar cover over each bolt hole where you just removed the hex-head bolts.

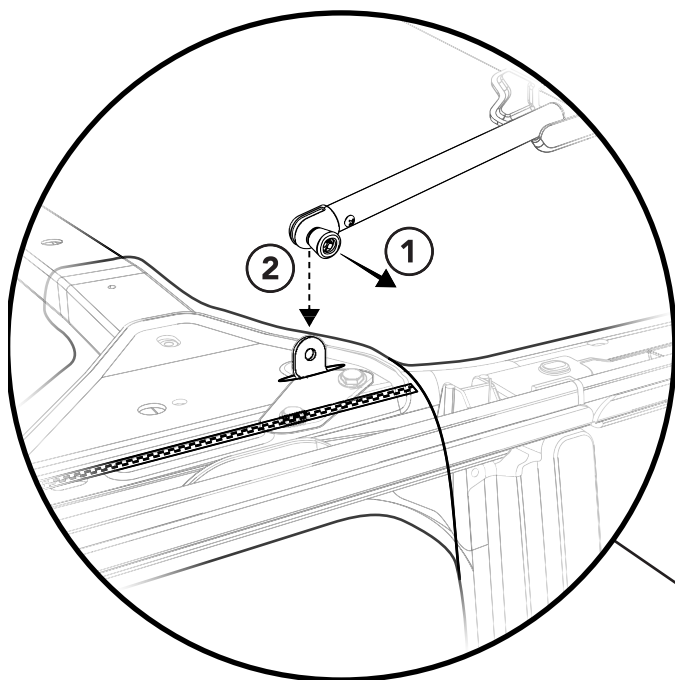
Attach the #3 Bow Assembly #542.40 to the sport bar, using the hex-head bolts you removed earlier.

The horizontal tabs on each side of the #3 Bow will slip through the slits in the sport bar, allowing you to access the threaded holes in the sport bar.

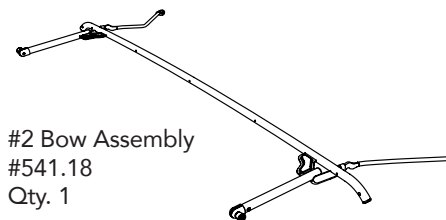
Tighten the bolt on each side.



Step 1



Hardware

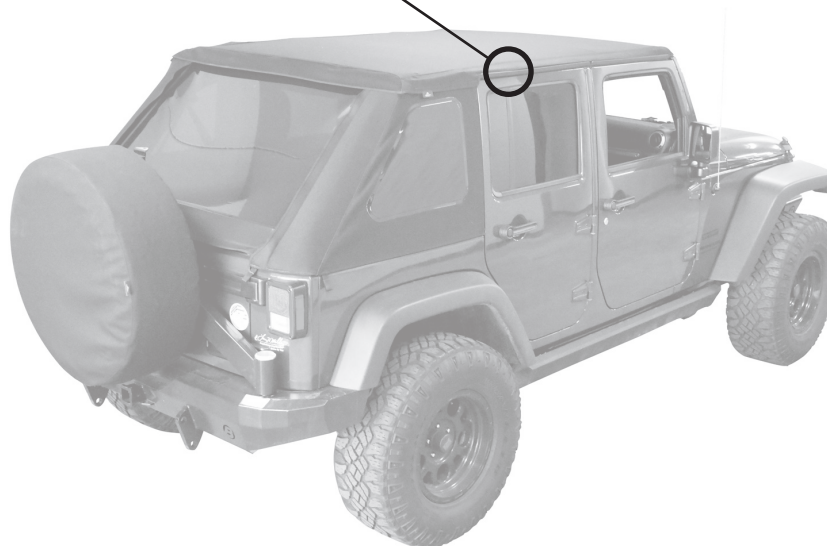


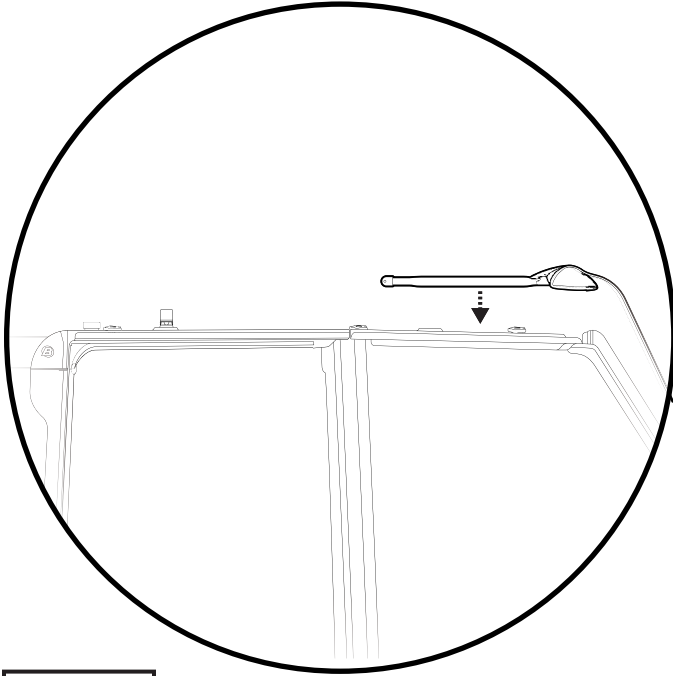
Step 1

Attach #2 Bow #541.18 to the #2 Bow Pivot Brackets on each side.

- ① Pull out on the knob to release the spring-loaded catch on the #2 Bow rear legs, and
- ② Slide the slotted end of the catch over the #2 Bow Pivot Bracket tab protruding from the sport bar cover.

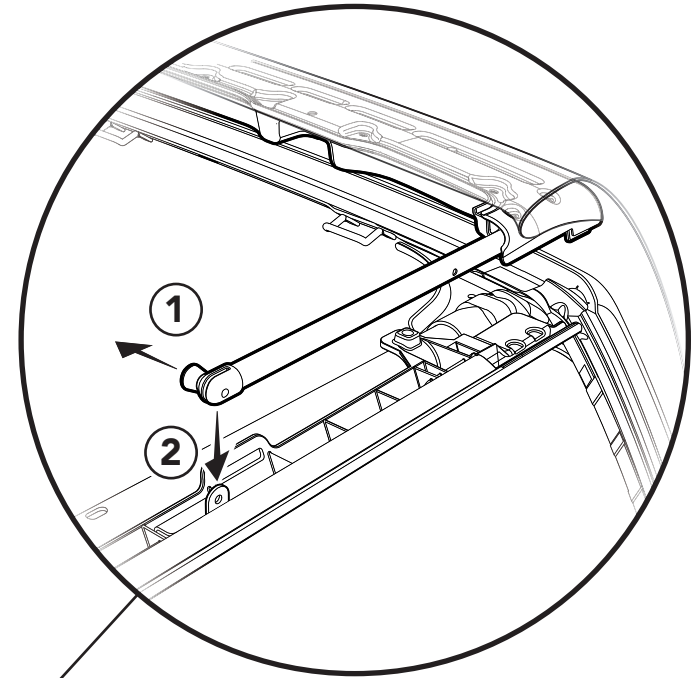
Make sure that the spring catch snaps into place on each #2 Bow Pivot Bracket tab.



Step 1**Step 1**

Lift the Header/Side Bow Assembly onto the top of the Jeep, with the Header sitting on top of the the Jeep windshield, and the fabric draped forward over the Jeep hood.

You may want to protect the finish of the Jeep by putting a blanket across the Jeep Hood.

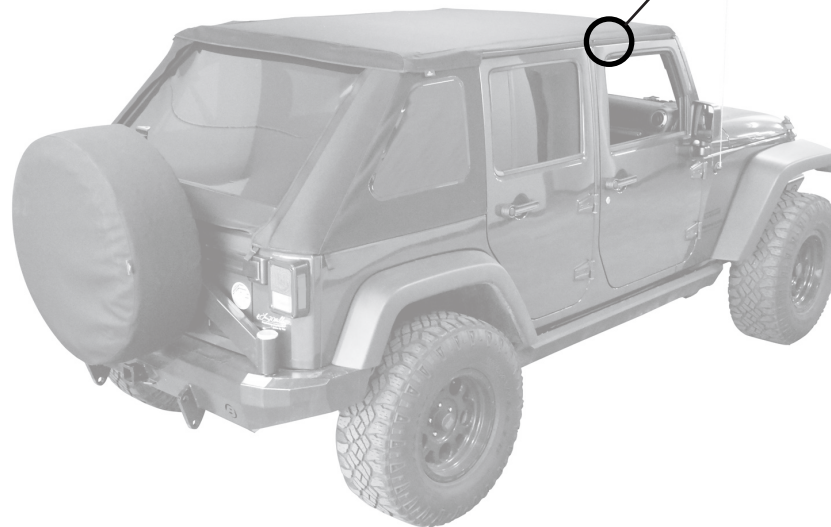
Step 2**Step 2**

Attach the right Side Bow to the Right Sunrider Pivot Bracket #544.18.

① Pull out on the spring catch release knob;

② Slide the slotted end of the Side Bow over the vertical tab on the Sunrider Pivot Bracket, and release the knob, making sure that the catch snaps into place on the Pivot Bracket tab.

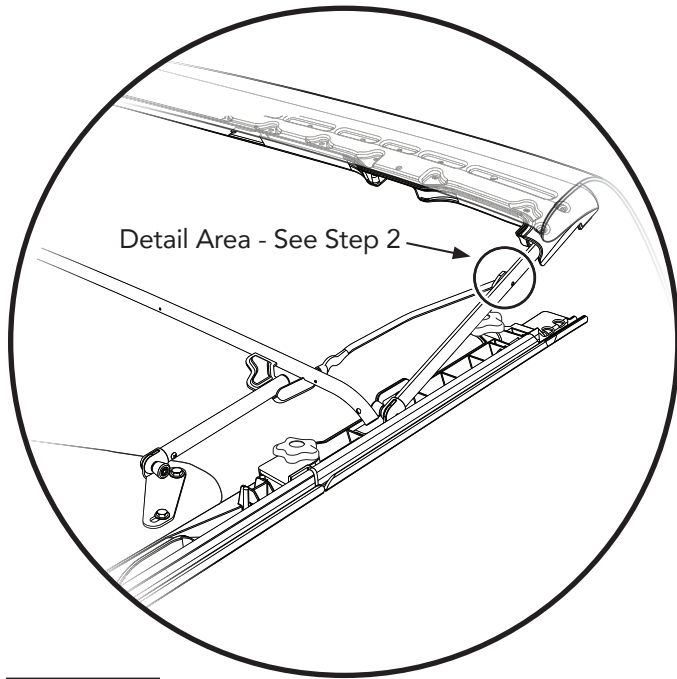
Repeat on the left side of the Jeep.



Step 1

Hardware

Step 2



M5 x 35mm Screw
Part #514.62
Qty. 2t



M5 Nylon Lock Nut
Part #526.76
Qty. 2



Washer
Part #575.27
Qty. 2



Plastic Bushing
Part #473.40
Qty. 4

Tools



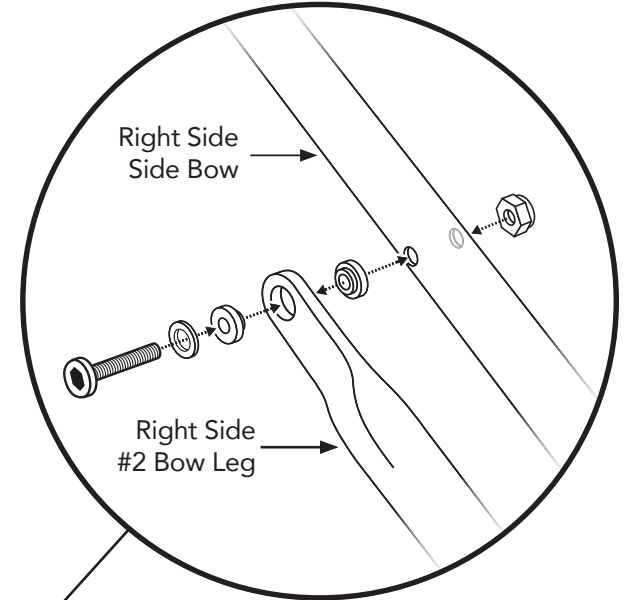
Ratchet



8mm Socket



3mm Allen Wrench



Step 1

Lift the Side Bow/Header up and locate the hole in the Side Bow near the Header.

Using this hole in the Side Bow, attach the #2 Bow to the Side Bow.

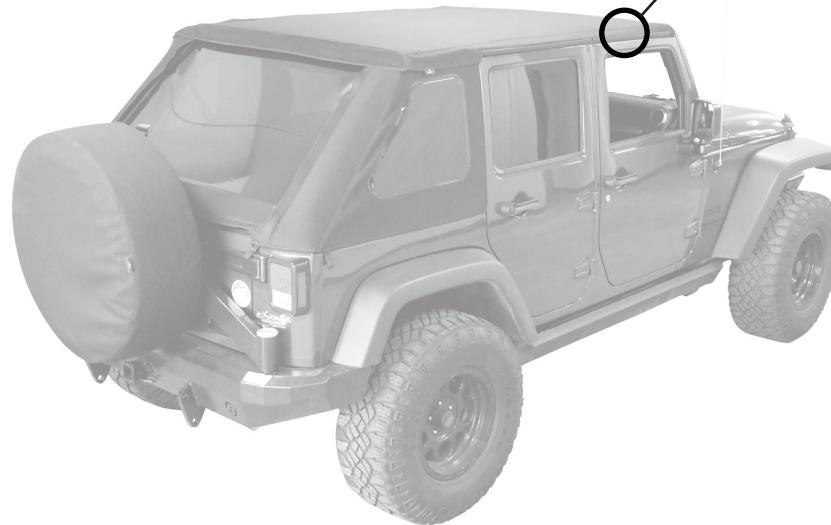
Step 2

Secure the #2 Bow to the Side Bow using one (1) Machine Screw #541.62, two (2) Plastic Bushings #473.40, one (1) Nylon Lock Nut #526.76 and one (1) Washer #575.27 on each side of the vehicle.

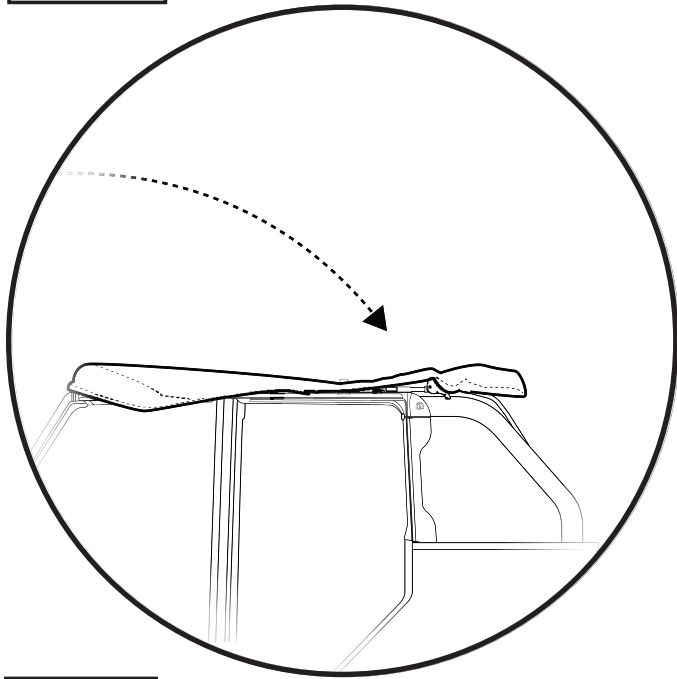
The Plastic Bushings go on both sides of the flat portion of the #2 Bow leg.

The Nylon Lock Nut goes on the inboard side of the Side Bow.

NOTE: Do not overtighten, to avoid damaging the plastic bushings.



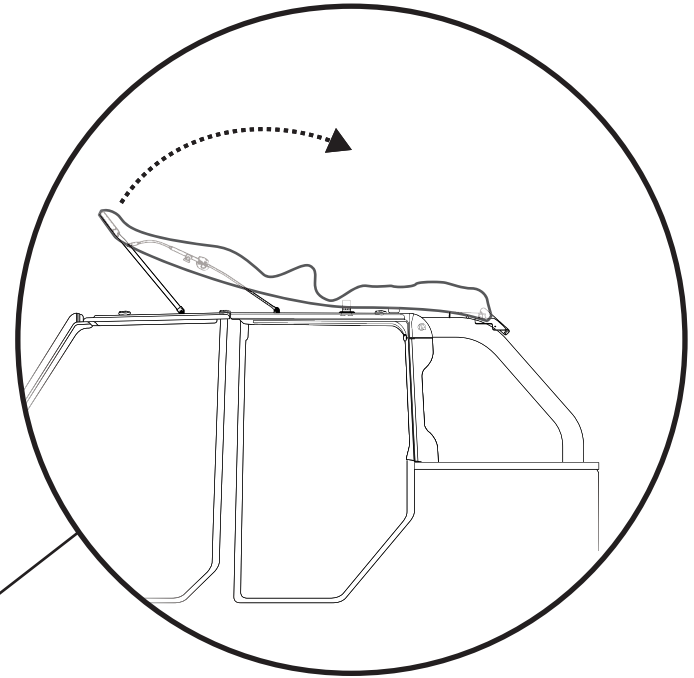
Step 1



Step 1

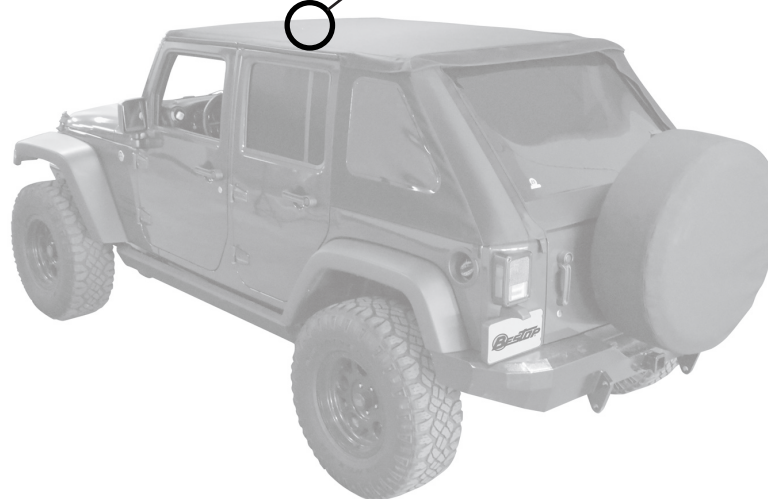
Lift the fabric and drape it back over the top of the Jeep, pulling it over the top of the #2 Bow, Top Arch and #3 Bow.

Step 2



Step 2

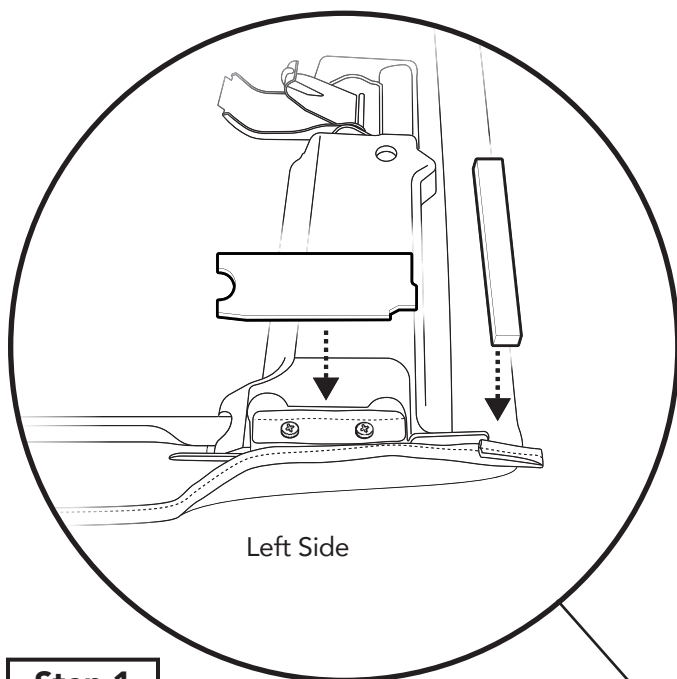
Fold the Sunrider back from the front pivot point, resting the front portion of the top on the rear portion.



Step 1

Hardware

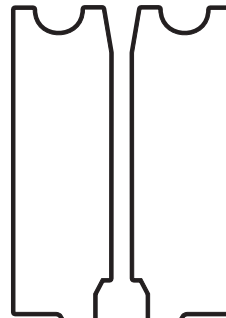
Step 2



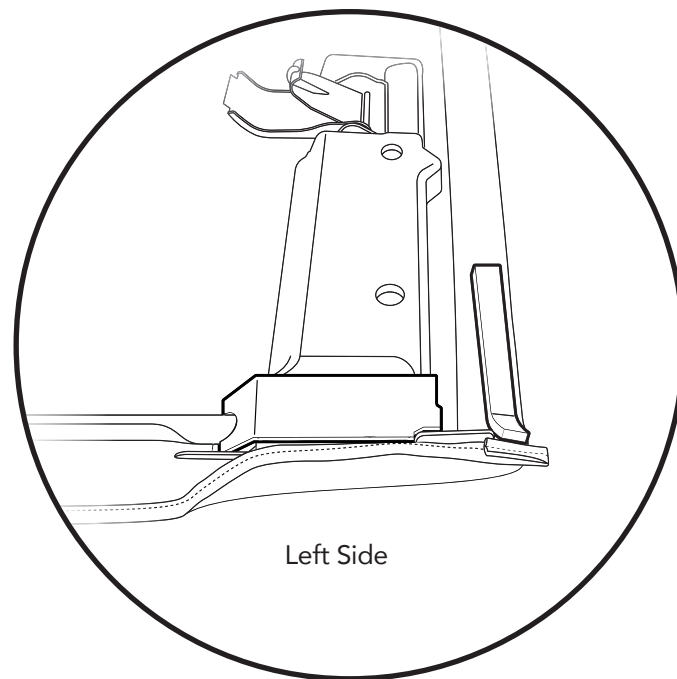
Left Side



Foam Tape Strips
#417.43
Qty. 2



Foam Seals
#457.76 (right)
#457.77 (left)
Qty. 1 per side



Left Side

Step 1

With the Sunrider folded back, locate the two (2) Foam Seals #457.76 (right) and #457.77 (left).

Remove the protective liner from the back side of the left Foam Seal #457.76 and place the Seal in the location shown above.

Repeat on the right side of the Header.

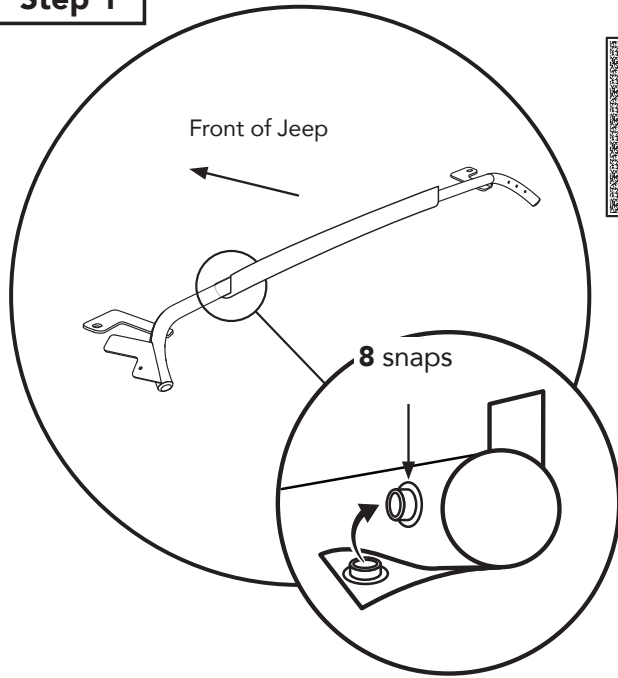


Step 2

Remove the protective liner from the back side of one of the Foam Tape Strips, and place the Strip in the location shown above, on the left side of the Header.

Repeat on the right side of the Header.

Step 1



Step 1

From inside the Jeep, wrap the flap located underneath the #3 Bow under the #3 Bow from the back, and snap the eight (8) snaps on the fabric flap to the snaps on the front-facing side of the #3 Bow.

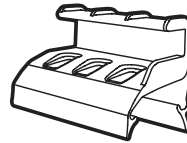
Step 2

Attach one (1) Adhesive Fabric Loop Strip #546.15 to each end of the Rear Bow as shown. The Loop Strips should align with the Hook Strips on the underside of the fabric top.

Hardware

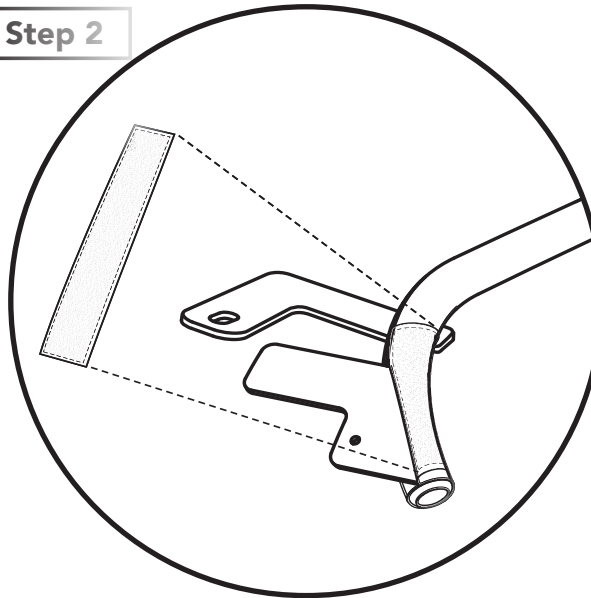


Adhesive Fabric Loop Strip
Part # 546.15
Qty. 2

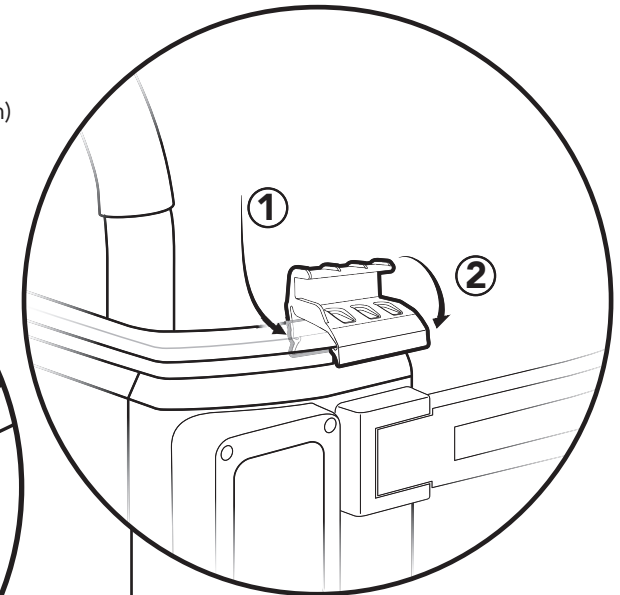


Tailgate Bar Mounts
#539.57 - Left
#539.56 - Right (shown)
Qty. 1 of each

Step 2



Step 2

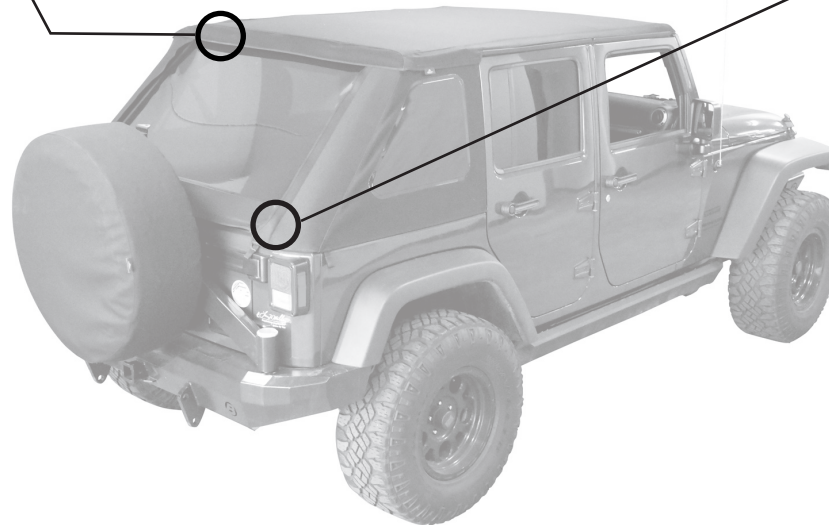


Step 3

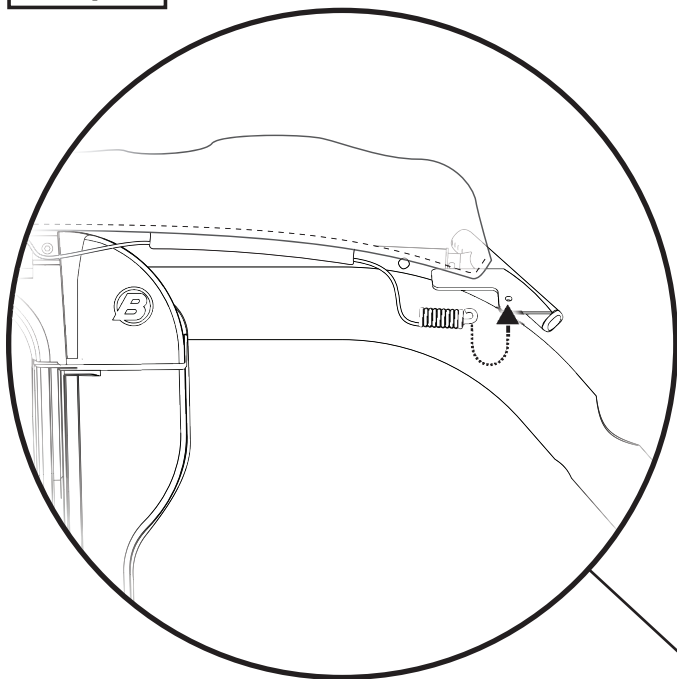
Locate the Left and Right Tailgate Bar Mounts, #539.56 and #539.57. Each bar mount snaps onto the Jeep belt rail just outboard of the tailgate opening.

Snap each mount into place:

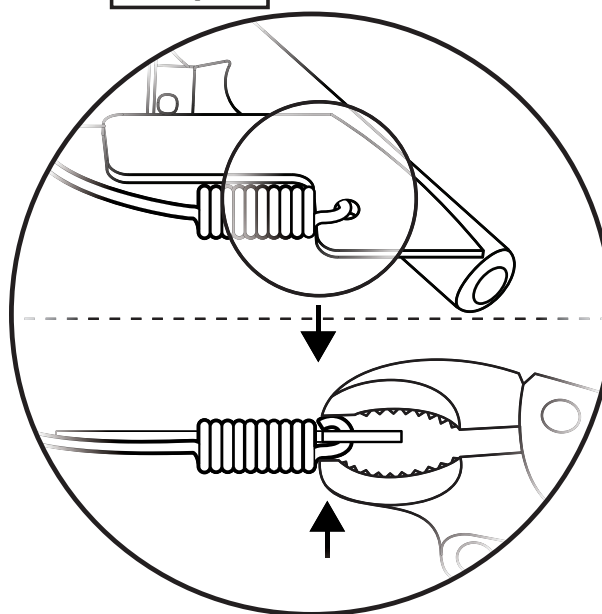
- ① Hook the inner catch portion of the mount under the belt rail on the inside of the tailgate, and then
- ② Roll the mount downward until it snaps into place under the bottom edge of the outside belt rail.



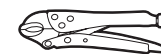
Step 1



Step 2



Tools



Vise-Grips

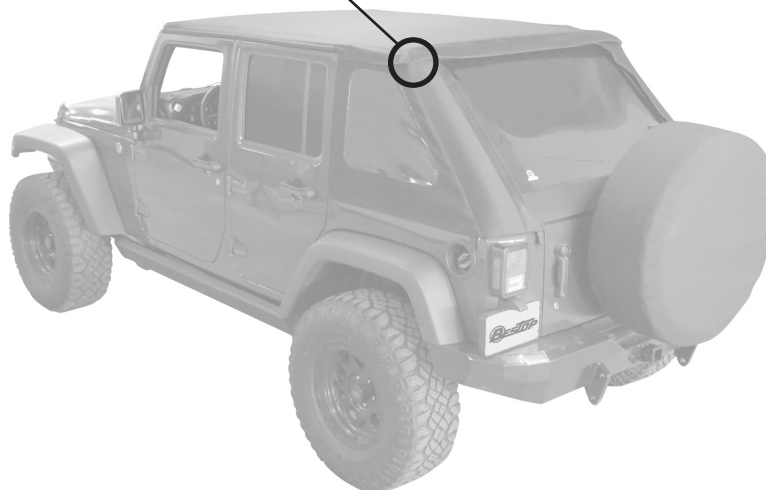
Step 3

Step 1

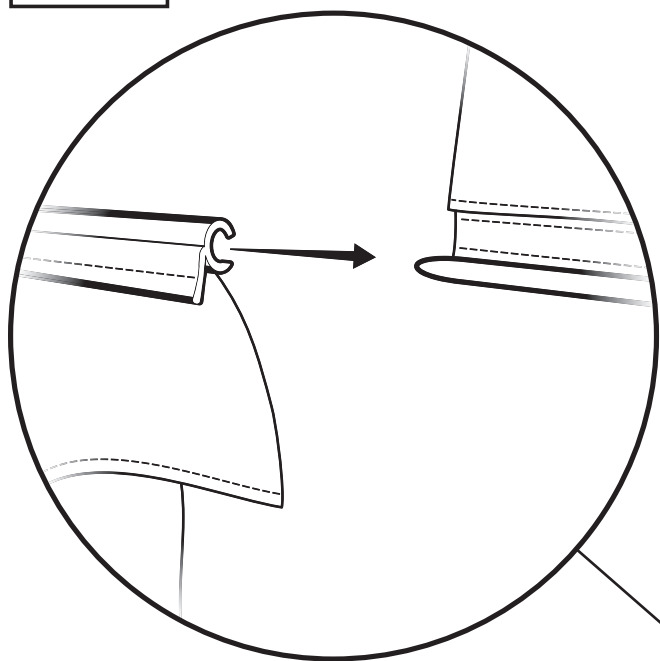
Attach the free end of the Cable Spring to the bottom hole in the #3 Bow corner plate, just above the bend in the rear leg of the sport bar.

Step 2

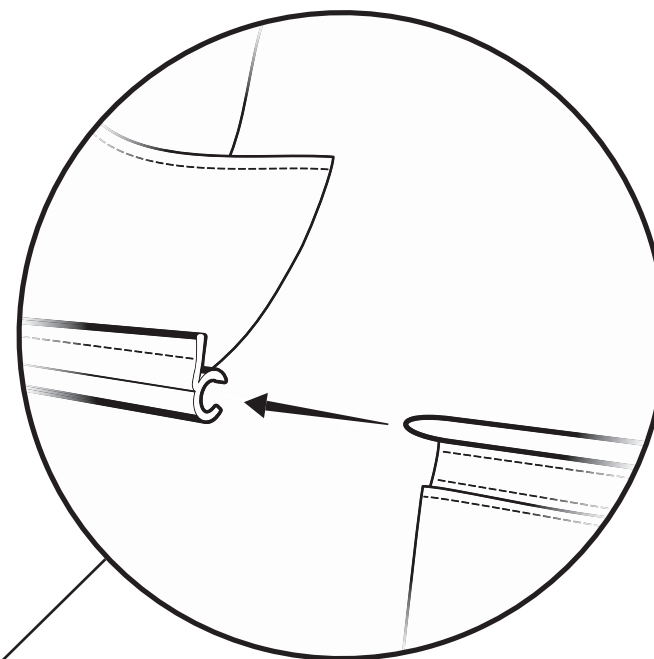
Crimp the end of the spring where it passes through the hole in the #3 Bow corner plate, to prevent it from coming loose.



Step 1



Step 2



Step 1

Open the Jeep tailgate.

Locate the sewn-in plastic tube along the rear edge of the top fabric.

Slide the open end of the sewn-in plastic channel along the top edge of the Rear Window over the tapered end of the left side of the plastic tube.

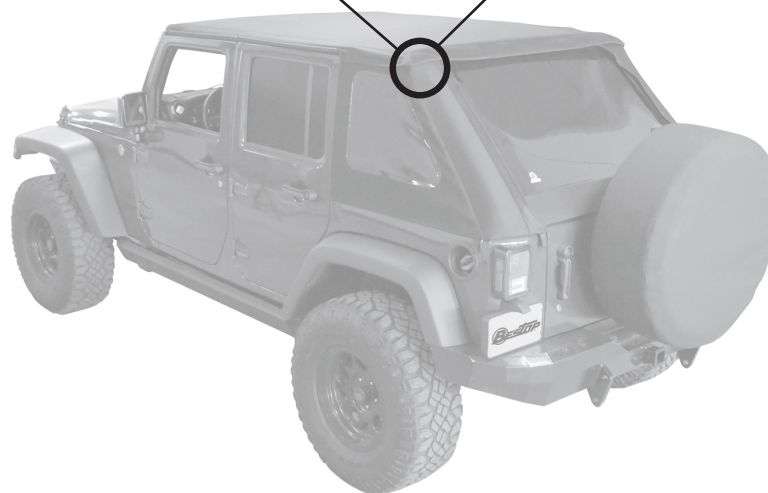
Slide the Rear Window to the right until it reaches the right rear corner of the top fabric.

Step 2

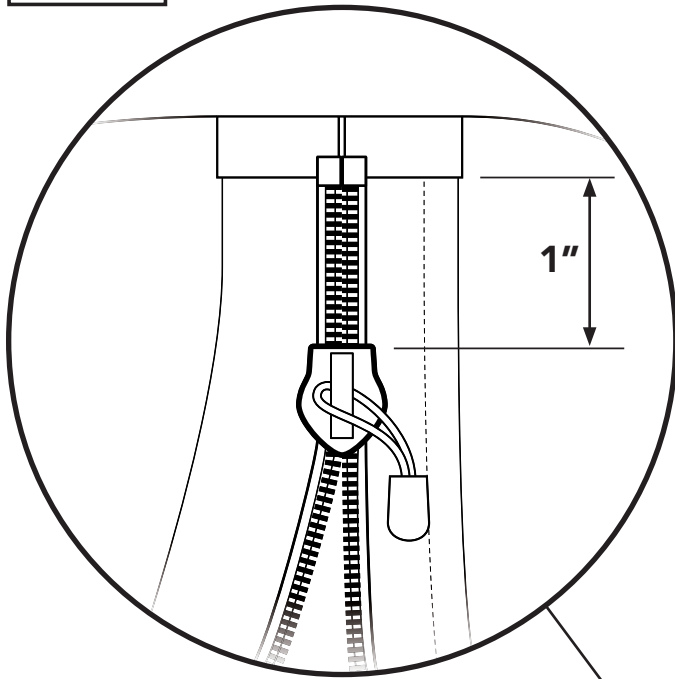
Locate the plastic channel along the left side edge of the top fabric.

Insert the tapered tip of the sewn-in plastic tube at the top edge of the left Quarter Window into the open end of the rear of the channel sewn onto the bottom edge of the top fabric and slide the Quarter Window forward until it stops at the back of the Rear Door Rail.

Repeat on the right Quarter Window.



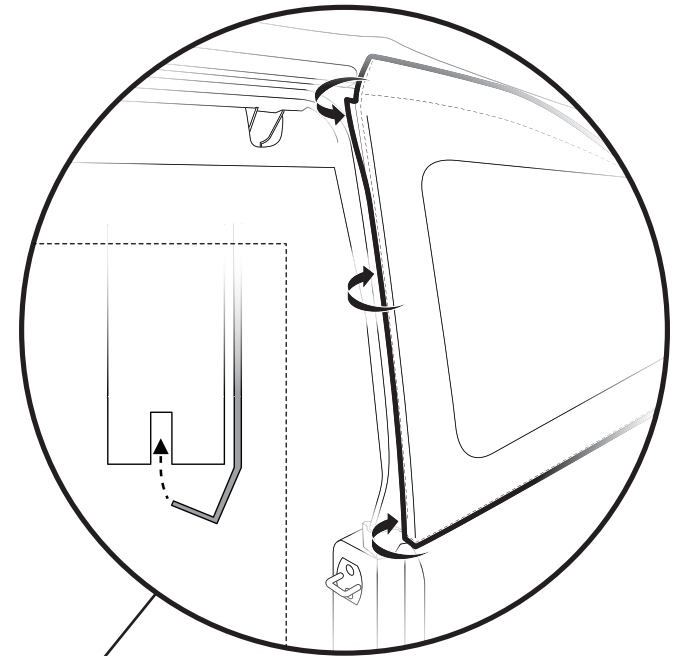
Step 3



Step 3

Start the zippers - about 1" - that attach the Rear Window to the Rear Quarter Windows on both sides.

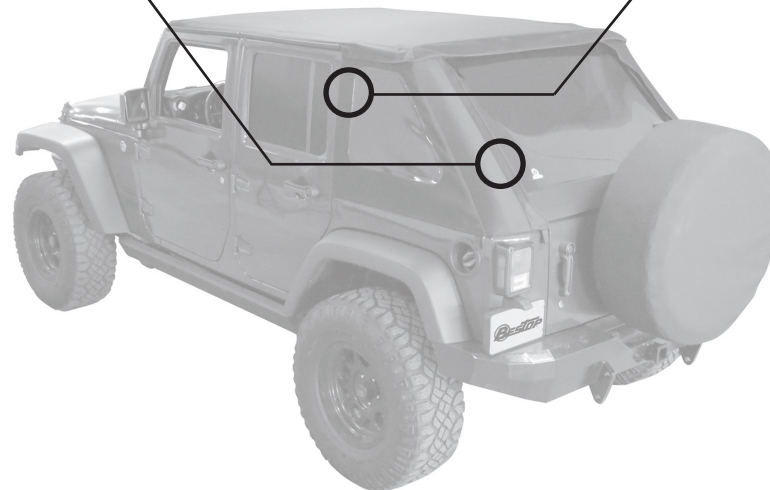
Step 4



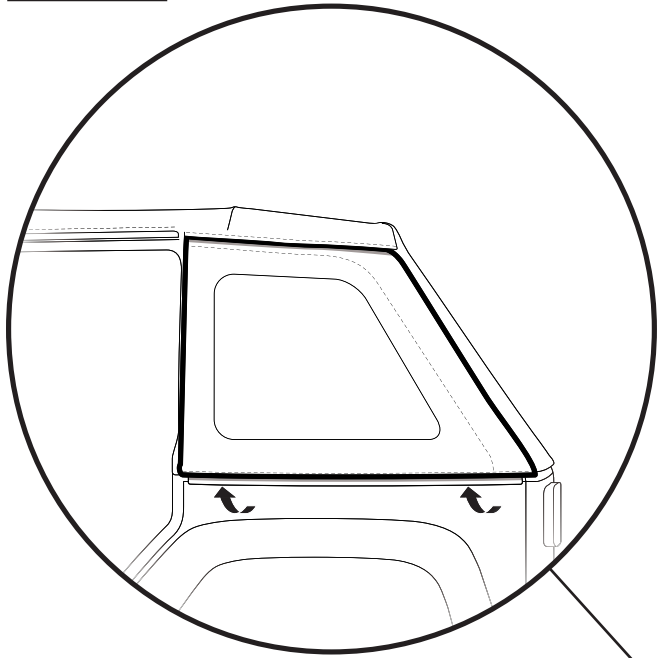
Step 4

Tuck the plastic angle strip along the front edge of the left Quarter Window into the vertical channel on the front of the Rear Door Rail. The plastic angle strip and attached fabric must be rolled into place in the channel.

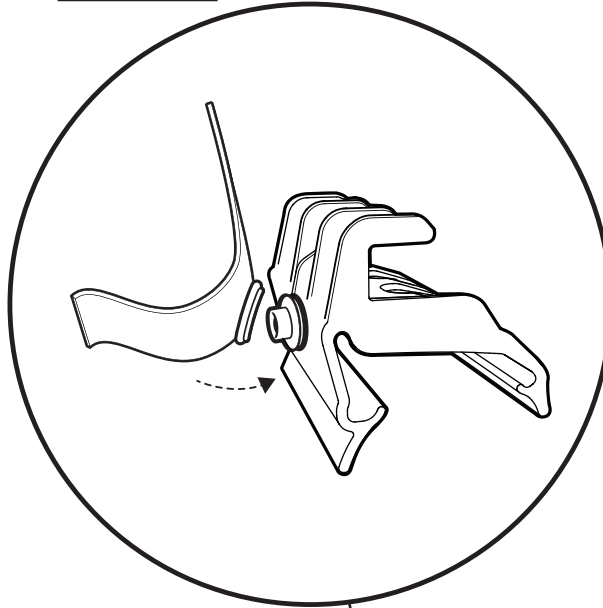
Repeat on the Right Quarter Window.



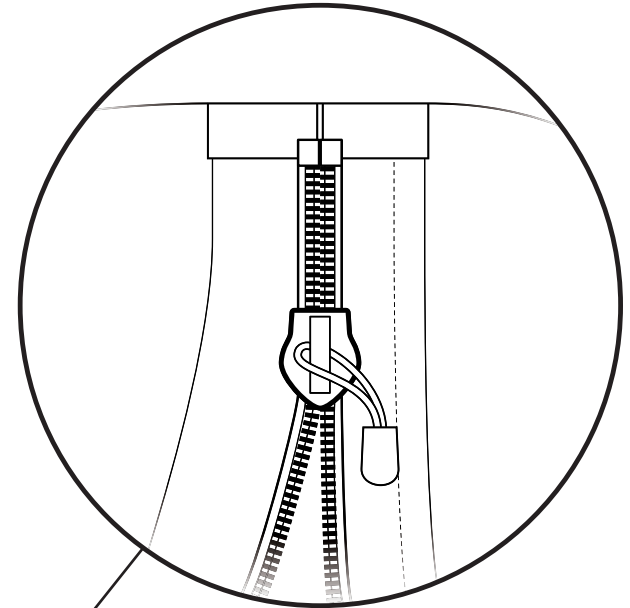
Step 5



Step 6



Step 7



Step 5

Tuck the plastic strip along the bottom edge of the left Quarter Window under the Jeep belt rail, by rolling it up underneath the belt rail, beginning at the rear, and working your way forward.

Repeat on the right Quarter Window.

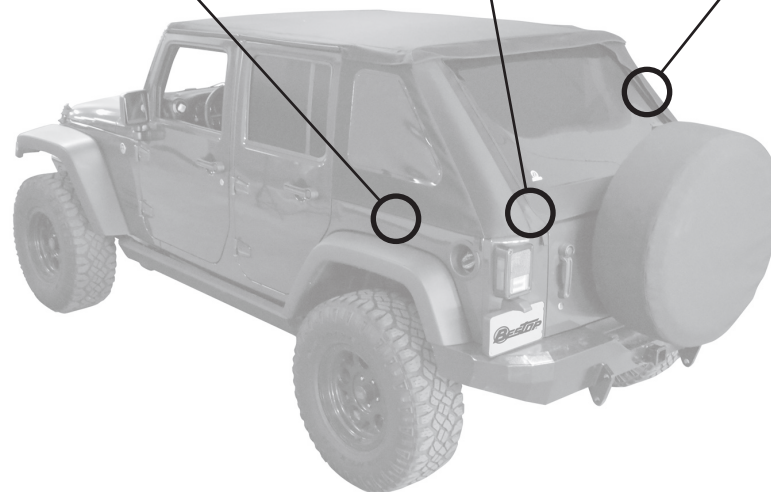
Step 6

Locate the sewn-in straps with snaps at the bottom inside corner of each Quarter Window.

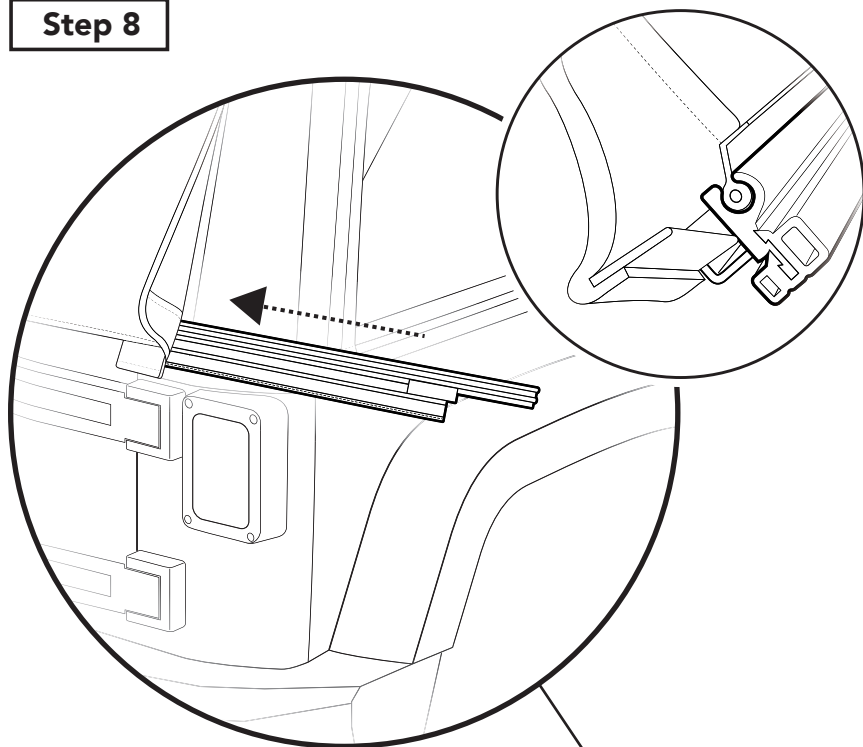
Snap the end of each strap to the snap on the inside of each Tailgate Bar Mount.

Step 7

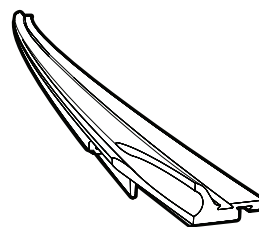
Finish zipping together the Rear Window and the Quarter Windows, which you zipped only about 1" in Step 5.



Step 8

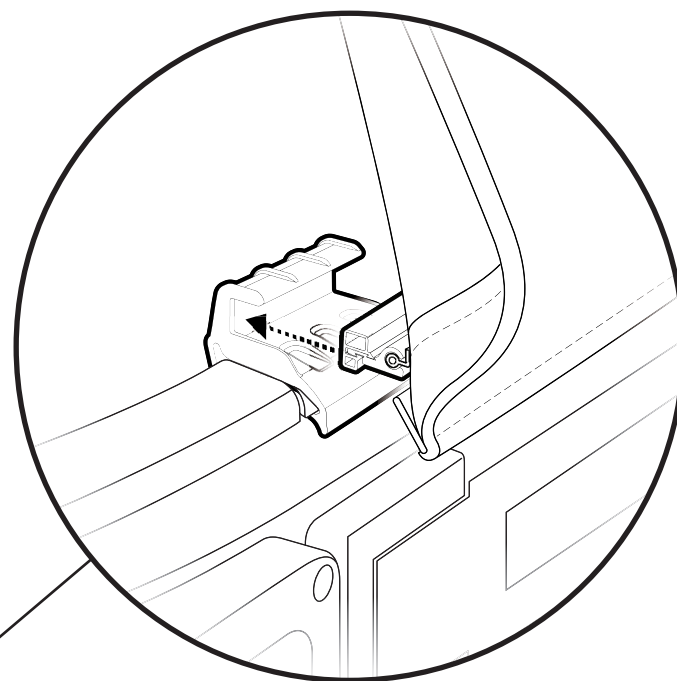


Hardware



Tailgate Bar
#538.76
Qty. 1

Step 9



Step 8

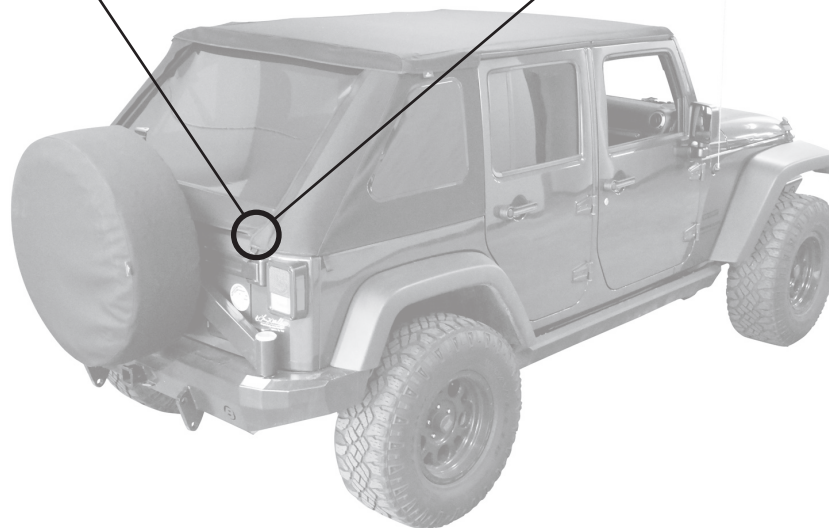
Locate the Tailgate Bar #538.76, and slide it onto the tubing attached to the bottom inside of the Rear Window.

The round channel on the side of the Tailgate Bar slides over the sewn-on tube on the bottom inside of the Rear Window.

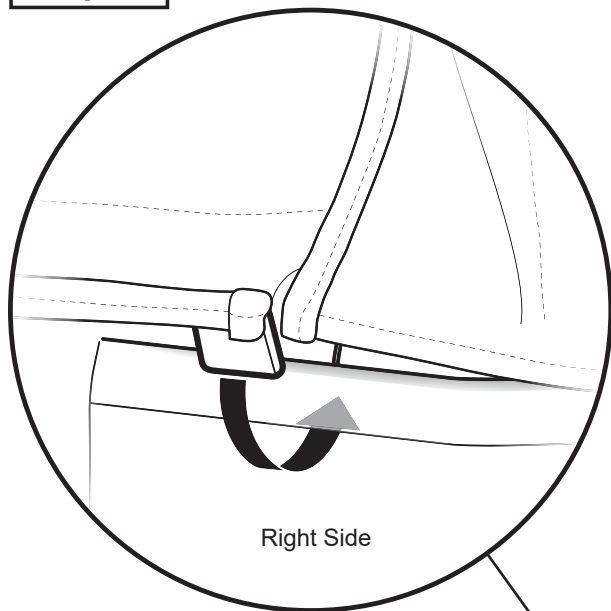
Step 9

Snap the front edge of the Tailgate Bar into the channel on the left Tailgate Bar Mount.

Repeat on the right side.

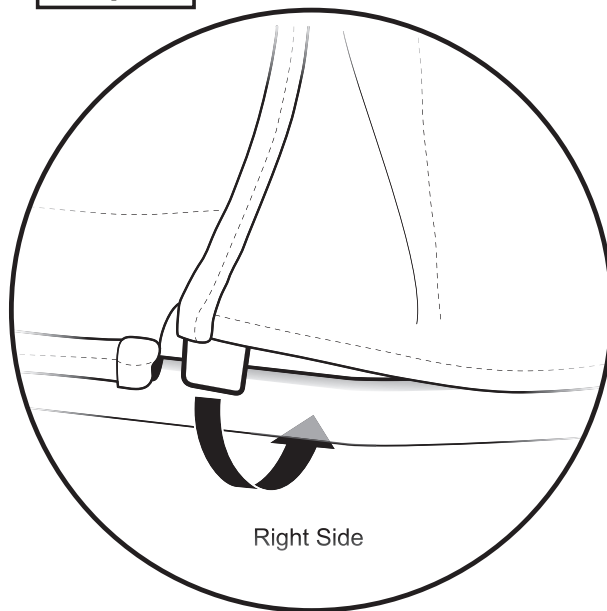


Step 10



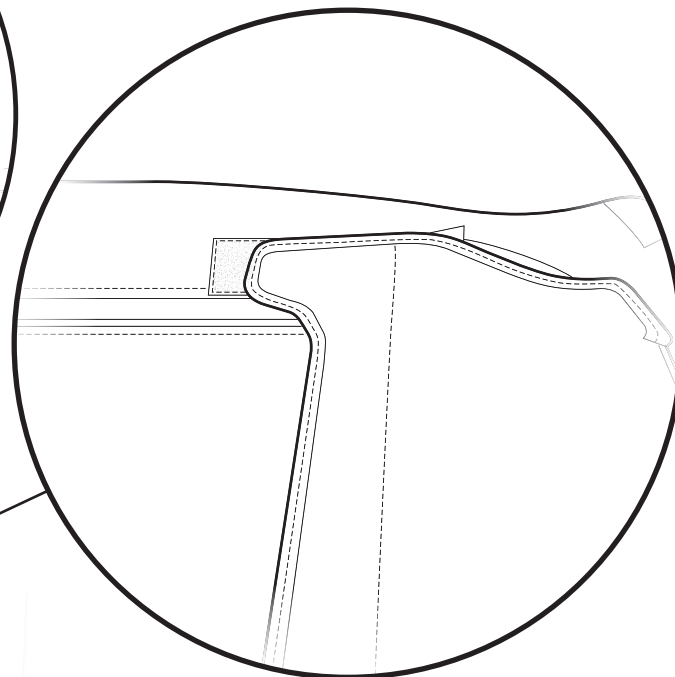
Right Side

Step 11



Right Side

Step 12



Step 10

Tuck the plastic tab at the bottom right corner of the Rear Window under the Jeep belt rail.

Roll the tab up underneath the belt rail.

Repeat on the left side.

Step 11

Tuck the plastic tab at the bottom rear corner of the right Rear Quarter Window under the Jeep belt rail.

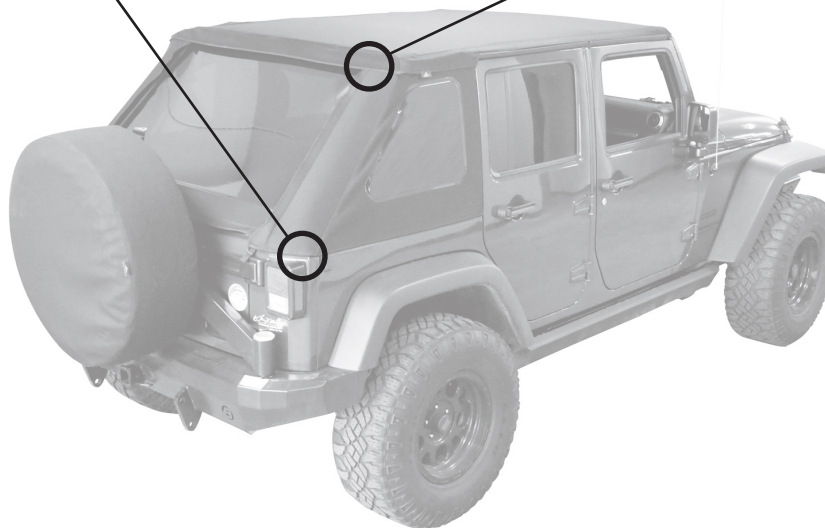
Roll the tab up underneath the belt rail.

Repeat on the left side.

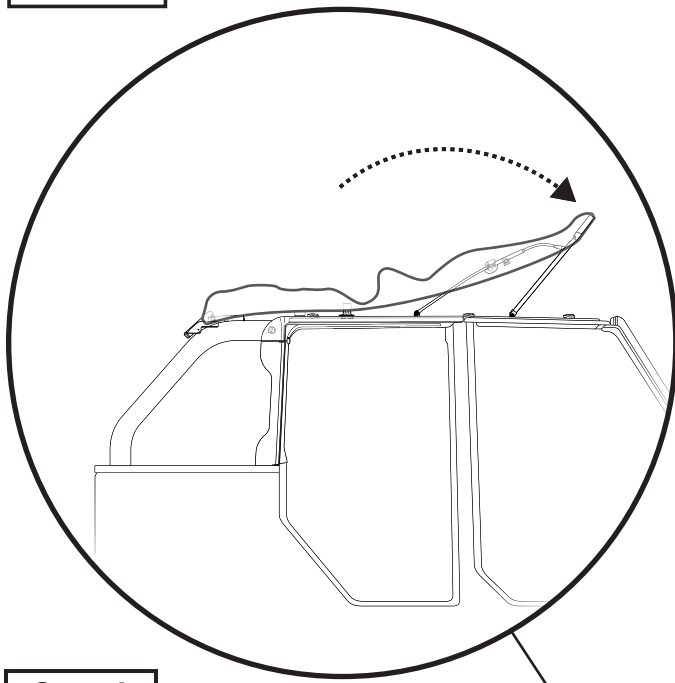
Step 12

Locate the hook and loop strip at the right rear corner of the top fabric. Attach the flap at the top corner of the right Quarter Window to the hook and loop strip.

Repeat on the left side of the Jeep.

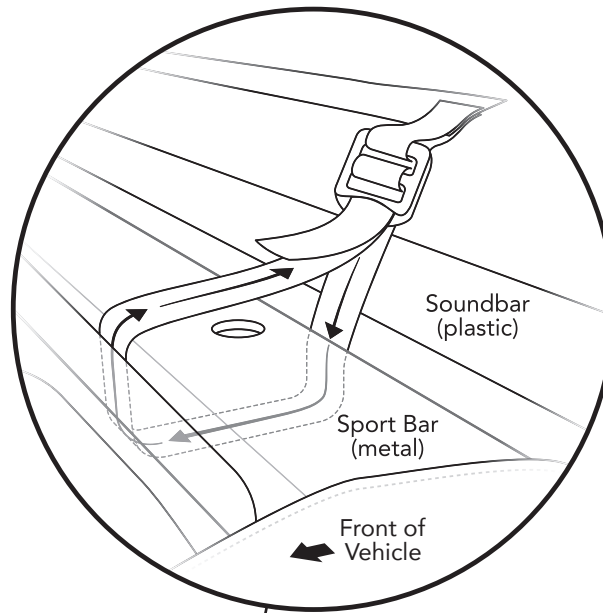


Step 1

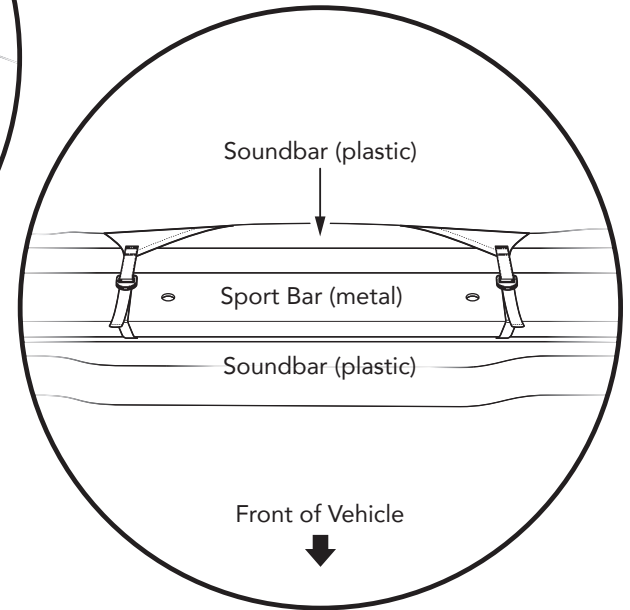


Step 1

Close the Sunrider.



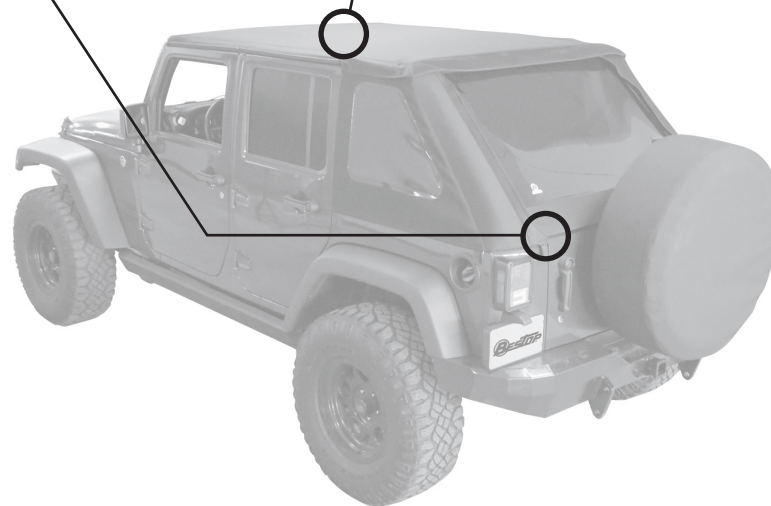
Step 2



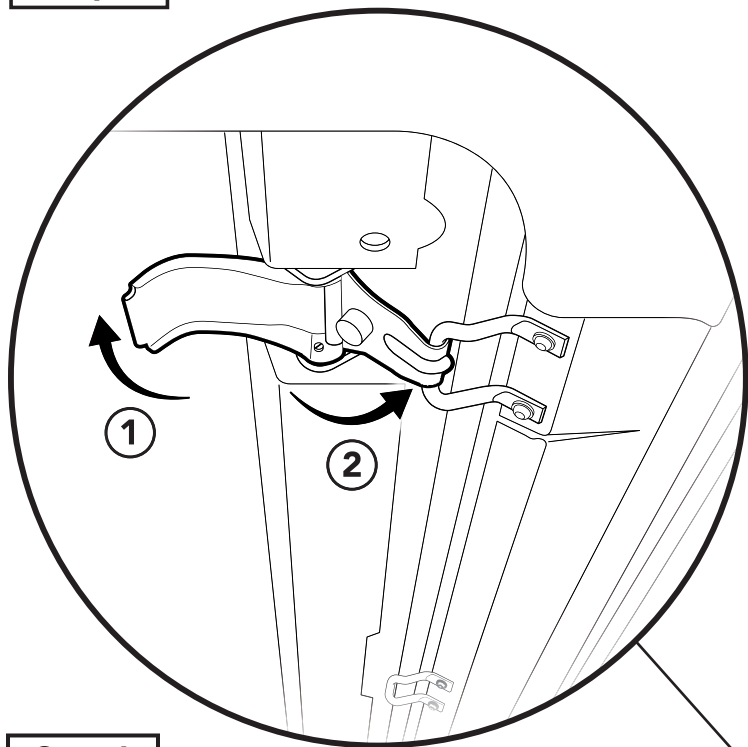
Step 2

From the inside of the Jeep, locate the two straps with buckles attached to the inside of the top fabric. Wrap each strap around the metal portion of the soundbar and secure it to the buckle.

NOTE: Don't pull the straps too tight. Just snug them.



Step 1

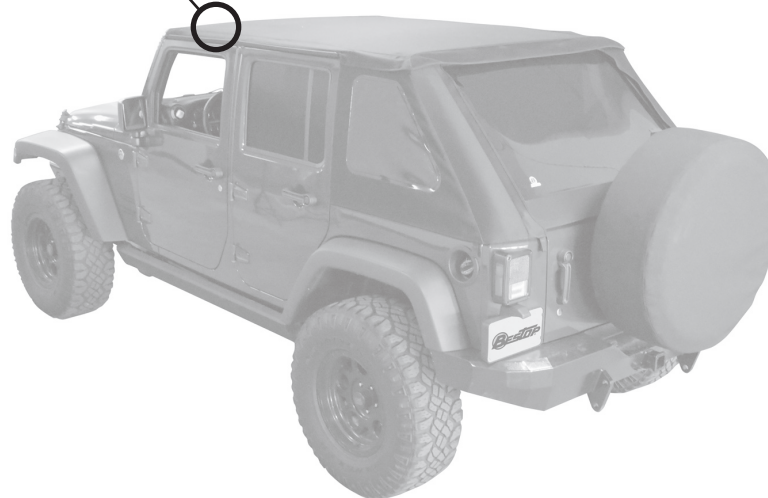


Step 1

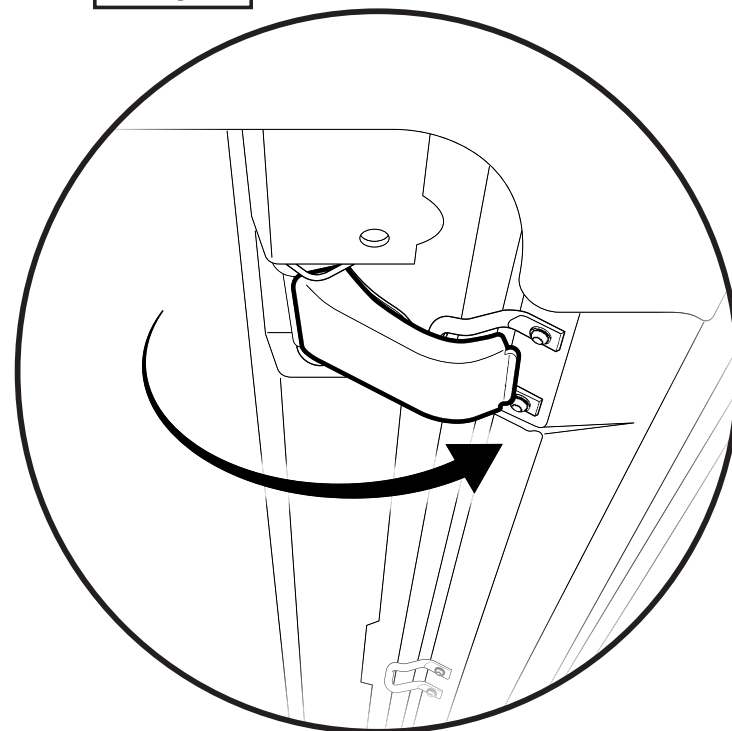
From inside the Jeep, locate the two Windshield Header Latches.

To close the latch, ① pivot the latch handle to the completely open position to allow the the hook to engage the windshield loop.

② Now pivot the hook forward to engage the windshield loop.



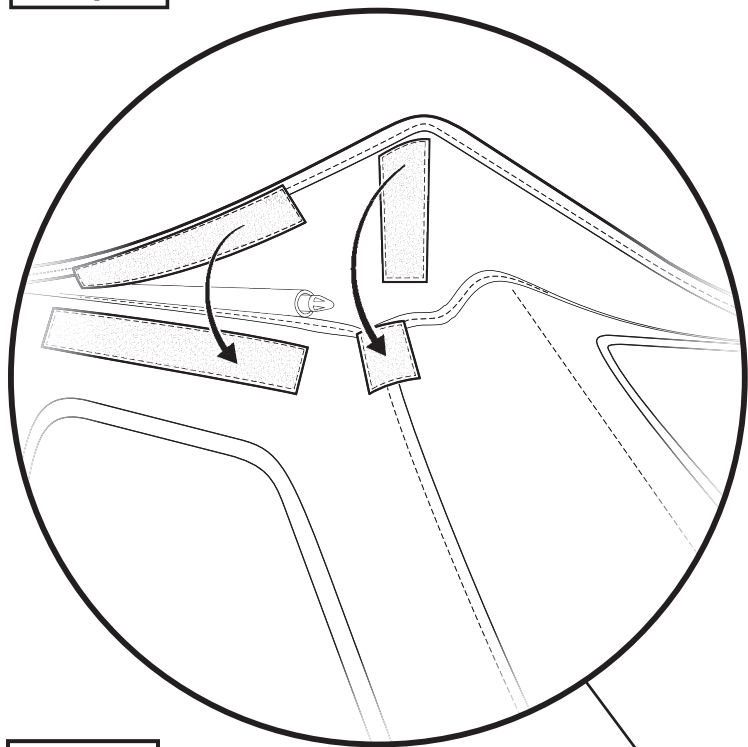
Step 2



Step 2

When the hooks are engaged with the windshield loops, close each latch by pivoting it forward toward the windshield.

Step 1

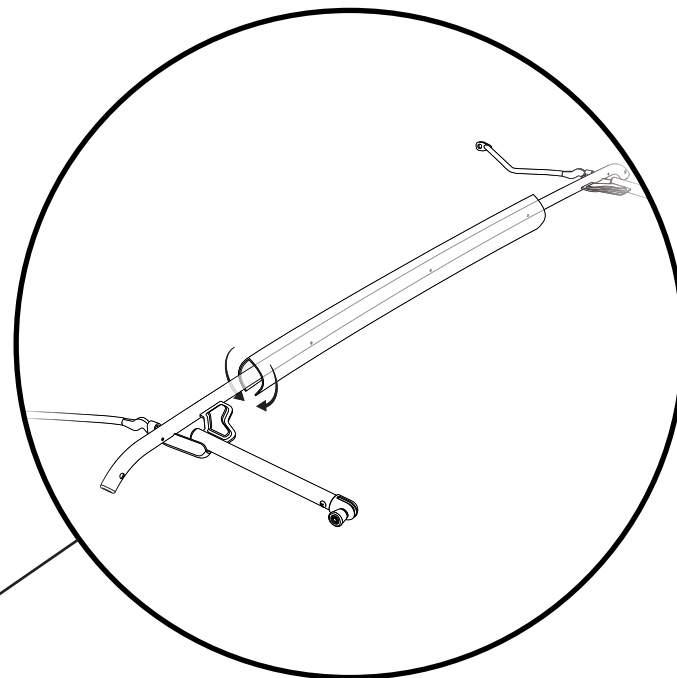


Step 1

Locate the Hook & Loop strips at the rear corners of the top fabric.

Snug the rear corners of the top by attaching the Hook & Loop strips on the underside of the top fabric to the strips along the top edges of the Quarter Window corners.

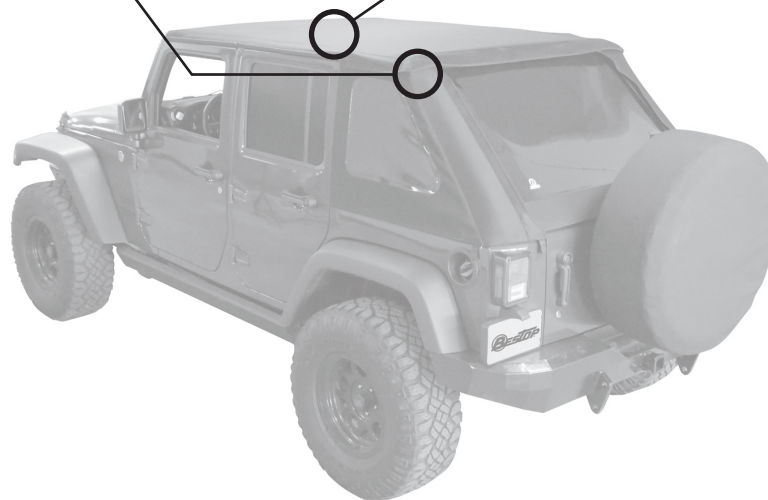
Step 2



Step 2

Inside the Jeep, locate the two flaps over the #2 Bow.

Wrap the flaps around the #2 Bow, and secure the flaps together with the Hook & Loop strips on each flap.





Installation Instructions Trektop NX 4-Door

Vehicle Application:
Jeep® Wrangler JK Unlimited 2007-2018
Part Number 56853

WHAT BESTOP WARRANTS

Subject to the terms and conditions of sale, including any terms and conditions set forth by Bestop, Inc. (“Bestop” or “us” or “we”) in our then-current terms of sale on our website (collectively, the “Terms”), Bestop represents and warrants that: the covered products listed in the “Covered Products and Warranty Periods” section (a “Product”) will substantially be free from defects in materials and workmanship for the specified warranty periods set forth in that section.

THE WARRANTY IS LIMITED AND CONDITIONAL

This warranty applies to the original purchaser of the Product only. The warranty is valid only as long as the original retail purchaser owns the vehicle upon which the Product is installed. The warranty expires should the Product be removed from the original vehicle or if the original vehicle is transferred to another owner.

This warranty is not transferable or assignable. The warranty does not apply to Product bought from auction-style or price-bid websites.

THE LIMITED WARRANTY AND STATED REMEDIES ARE SOLE AND EXCLUSIVE AND IN LIEU OF ALL OTHER WARRANTIES AND REMEDIES, AND COMPANY EXPRESSLY DISCLAIMS ALL IMPLIED OR STATUTORY OR OTHER WARRANTIES, INCLUDING WITHOUT LIMITATIONS WARRANTIES OF MERCHANTABILITY, NON-INFRINGEMENT OR FITNESS FOR A PARTICULAR PURPOSE. IN NO EVENT WILL COMPANY BE LIABLE FOR ANY SPECIAL, INCIDENTAL, CONSEQUENTIAL, PUNITIVE, INDIRECT OR EXEMPLARY DAMAGES OF ANY KIND, INCLUDING LOST PROFITS OR REVENUE, HOWEVER CAUSED, WHETHER FOR BREACH OR REPUDIATION OF CONTRACT, TORT, BREACH OF WARRANTY, NEGLIGENCE, OR OTHERWISE, WHETHER OR NOT COMPANY WAS ADVISED OF THE POSSIBILITY OF SUCH LOSS OR DAMAGES.

Some states do not allow exclusion or limitation, so this may not apply to you. This warranty gives you specific legal rights, and you may have other rights which vary from state to state.

EXCLUSIONS TO THE WARRANTY

The Limited Warranty excludes, and Bestop is not liable in any way for any warranty claims, damages, or defects related to:

- Misuse, abuse, accidents, vandalism, negligence, fire, or improper installation or modification, or improper or inadequate maintenance;
- Failure to comply with any Product documentation, Bestop instructions, or applicable law or regulations; use in extreme conditions
- Force Majeure including but not limited to, earthquake, hurricane, tornado, flooding, or other disasters natural or man-made, civil unrest, strikes, declared or undeclared war, or lack of performance by, or discontinued product of, supply chain partners whose products, software, operations or management is beyond the control of Bestop;
- Damage resulting in breakage (including without limitation, spontaneous breakage, accidental breakage or breakage by any other means) of a Product or any component part;
- Damage to vinyl windows due to misuse, or cracking due to varying weather conditions.

YOUR SOLE REMEDY

During the applicable warranty period, Bestop shall, at its option, either repair or replace any Product that it confirms, in its discretion, is non-compliant with the warranties herein. Bestop will not pay for labor charges associated with installation or removal of the Product. Should a specific Product be discontinued, Bestop may, at its option, replace the discontinued Product with a current product or like product.

Please retain your proof of purchase. Original proof of purchase for the Product must accompany any warranty claim. If you have a warranty claim, first you must email Bestop Customer Service at csbestop@bestop.com for instructions. All claims must be emailed to csbestop@bestop.com within 30 days of discovery of a defective Product, but in no event later than thirty days after the end of the applicable Warranty Period (the “Warranty Notice Period”). Warranty claims made after the Warranty Notice Period are null and void and Bestop shall have no responsibility with respect to such claims.

THIS SECTION SETS FORTH BESTOP’S SOLE OBLIGATION & YOUR SOLE REMEDY WITH RESPECT TO ANY DEFECTS OR OTHER PRODUCT ISSUE. ANY PRODUCTS REPLACED UNDER TERMS OF THIS WARRANTY WILL BE COVERED UNDER TERMS & BALANCE OF THE DURATION OF THE ORIGINAL LIMITED WARRANTY FOR SUCH PRODUCT.



Installation Instructions Trektop NX 4-Door

Vehicle Application:
Jeep® Wrangler JK Unlimited 2007-2018
Part Number 56853

COVERED PRODUCTS AND WARRANTY PERIODS: The warranty time periods are as follows for Products manufactured by Bestop:

BESTOP® LIMITED LIFETIME WARRANTY

Trektop® Pro Twill Fabric Top Sunrider® for Hardtop Twill Fabric Top
Trektop® NX Glide Twill Fabric Top Replace-a-Top™ Twill Fabric Top
Trektop® NX Twill Fabric Top Supertop® NX Twill Fabric Top
EZFold™ Soft Tonneaus Floor & Cargo Liners
ZipRail™ Soft Tonneaus Pet Barriers
EZRoll™ Soft Tonneaus

BESTOP® 5-YEAR LIMITED WARRANTY

Trektop® NX Glide™ Top (non-Twill) Sunrider® for Hardtop (non-Twill) Replace-a-Top™ Top (non-Twill) Trektop® NX Top (non-Twill)
Sailcloth Replace-a-Top™ Supertop® NX Top (non-Twill)
Tigertop™ and Halftop™ Supertop® Classic Soft Top Sunrider® Complete Soft Top Supertop® for Truck
EZ Fold Hard Tonneau

BESTOP® 3-YEAR/100K MILES LIMITED WARRANTY

Powerboard® & Powerboard® NX
Trekstep®, Side Mount
Trekstep®, Rear Mount

BESTOP® 3-YEAR LIMITED WARRANTY

Pavement Ends Sprint Top

BESTOP® 2-YEAR LIMITED WARRANTY

Trektop® Classic Soft Top
RoughRider™ Soft Storage

BESTOP® 1-YEAR LIMITED WARRANTY

All other Bestop® & Pavement Ends™ products not specified above.

For further information or request for warranty work, please contact:

Bestop Inc. Customer Service
Toll-Free: (800)845-3567
E-mail: customerservice@Bestop.com
Website: www.Bestop.com